



Designed for high current applications, the Trombetta 'Bear' range of solenoid contactors represent excellent value. The combination of high impact plastic and zinc steel housing provides a robust device, compact in size and easy to install. Available with either 12 or 24VDC coils and copper or long life silver alloy the 'Bear' is ideal for battery management, emergency starting, load switching and a myriad of demanding transport applications.

ELECTRICAL

Contact Rating:	225 Amps nominal* 600 Amps peak inrush*
Contact State:	Normally Open (N/O)
Contact Life:	Copper – 25K cycles Silver Alloy – 50K cycles
Coil Voltage:	12VDC or 24VDC*
Coil Duty Cycle:	100% @25°C*
Insulation:	Ungrounded

MECHANICAL

Coil terminals:	10-32 Studs
Contact Terminals:	5/16-24 Studs

ENVIRONMENTAL

Operating Temp:	-40°C to +85°C
Sealing:	Unsealed

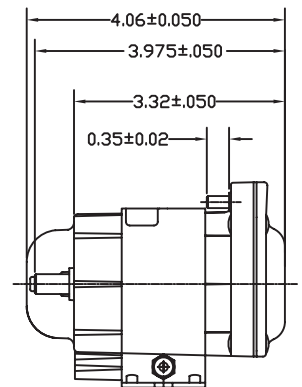
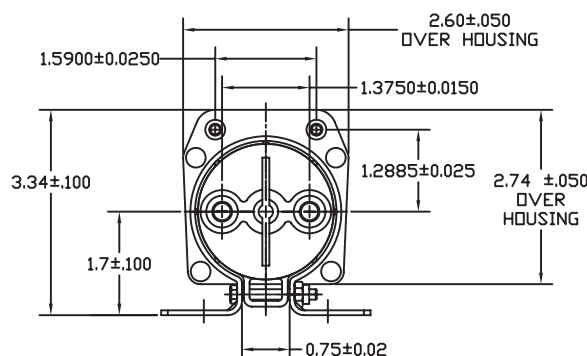
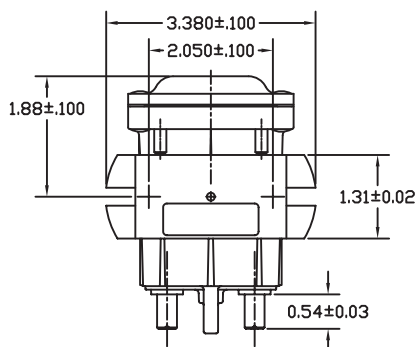
AVAILABLE OPTIONS

Curved mounting bracket; Intermittent rated coils; 36 and 48VDC coils.

* detailed information available upon request

Models

Part No.	Voltage	Rating	Coil Duty	Grounding	Contacts	Bracket
114-1211-010	12VDC	225 Amps	Continuous	Ungrounded	Copper	Flat On Side
114-2411-010	24VDC	225 Amps	Continuous	Ungrounded	Copper	Flat On Side
114-1211-020	12VDC	225 Amps	Continuous	Ungrounded	Silver Alloy	Flat On Side
114-2411-020	24VDC	225 Amps	Continuous	Ungrounded	Silver Alloy	Flat On Side



Proudly distributed by:



16 Parkinson Lane
O'Connor WA 6163
Australia

Phone +61 8 9331 3100
Fax +61 8 9331 5150
Email mail@amelec.com.au
Web www.amelec.com.au