



PROPERTIES

Stroke Length:	38.1mm (1.5")
Net Pull Force:	61.8 Newtons (13.9lbf)
Net Hold Force:	164 Newtons (37lbf)
Weight:	1.18 kg (2.6lbs)

MECHANICAL

Termination:	150mm (6") flying leads
Shaft thread:	1/4-28 UNF male
Shaft length:	25.4mm (1")

ELECTRICAL

Pull Current:	68 Amps @ 12VDC 36 Amps @ 24VDC
Hold Current:	0.9 Amps @ 12VDC 0.4 Amps @ 24VDC
Design Voltage:	12VDC or 24VDC
Duty Cycle:	100% of rated voltage @25°C
Insulation:	Ungrounded

AVAILABLE OPTIONS

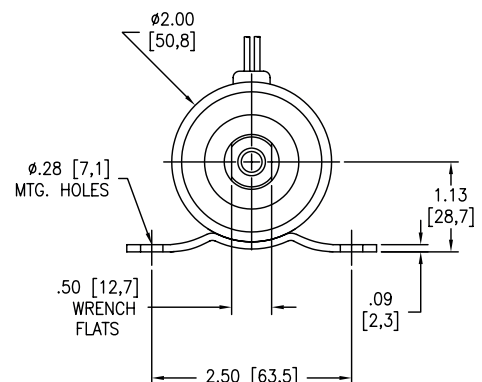
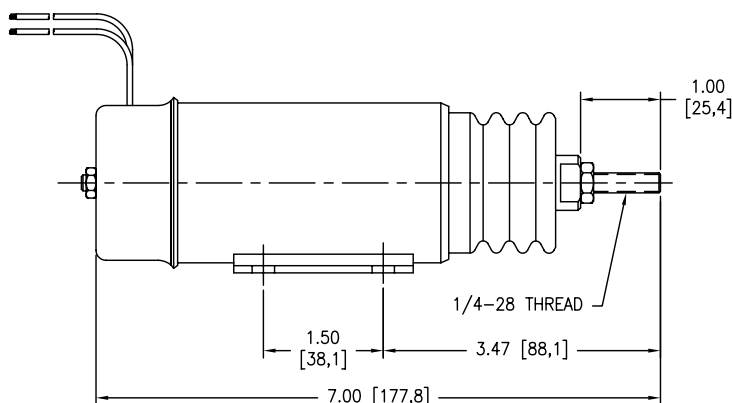
Return springs:	Light duty
-----------------	------------

* detailed information available upon request

The D513 range of solenoid actuators offer a proven and reliable electromechanical solution for pull and hold functions. An integral changeover contact switches the pull coil to the hold coil thus eliminating the need for additional relays or controllers. The dual wound coil design provides high energy pulling performance while maintaining a low powered continuous holding operation. Ideal for damper/flap control, engine shutdown/throttling and general actuation requirements.

Models

Model	Voltage	Configuration	Light Spring P/N	Heavy Spring P/N	Mounting
D513-A32V12	12VDC	Internally switched	F10124	None	Side
D513-A33V24	24VDC	Internally switched	F10124	None	Side



Proudly distributed by:



16 Parkinson Lane
O'Connor WA 6163
Australia

Phone +61 8 9331 3100
Fax +61 8 9331 5150
Email mail@amelec.com.au
Web www.amelec.com.au