



Engineered to withstand high temperatures, excessive dust, liquid and vibration the Defender contactor is an ideal choice for arduous environmental conditions. It is designed to carry currents as low as 350 milliamps and as high as 100 amps. With coil Transient Volt Suppression (TVS), the Defender protects sensitive components in your system. Perfect for off road, mission critical, earth moving, mining and agricultural applications, the Defender is the ultimate performer.

ELECTRICAL

Contact Rating: 100 Amps
400 Amps peak inrush
Contact State: Normally Open (N/O)
Contact Life: 20K cycles
Coil Voltage: 12VDC or 24VDC
Coil Duty Cycle: 100% @25°C
Insulation: Ungrounded

MECHANICAL

Coil terminals: Deutsch-2Pin Connector DT06-25
Contact Terminals: 5/16-24 Studs

ENVIRONMENTAL

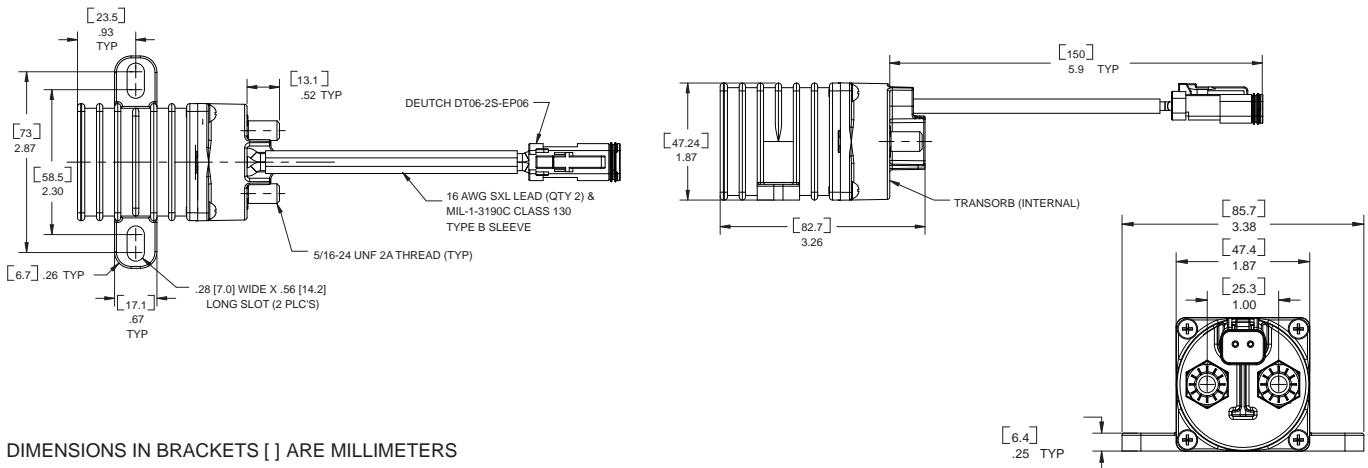
Operating Temp: -40°C to +85°C
Sealing: Sealed (IP Rating Pending)

AVAILABLE OPTIONS

Alternate lead connectors;
Silver plated contact studs.

Models

Part No.	Voltage	Rating	Coil Duty	Grounding	Contacts	Bracket
404-1231-032	12VDC	100 Amps	Continuous	Ungrounded	Silver Alloy	Integrally cast
404-2431-032	24VDC	100 Amps	Continuous	Ungrounded	Silver Alloy	Integrally cast



Proudly distributed by:



16 Parkinson Lane
O'Connor WA 6163
Australia

Phone +61 8 9331 3100
Fax +61 8 9331 5150
Email mail@amelec.com.au
Web www.amelec.com.au