



The High Performance (HP) range of contactors from Trombetta feature durable, high temperature resistant plastic housings suitable for a variety of environmental conditions. Designed with efficiency, longevity and reliability in mind, the HP range is a cost effective solution for a myriad of applications including small engine starting applications, driving electric motors, battery management, etc. Ideal for golf carts, ride-on mowers, UTV's, stationary engines and gen-sets amongst others.

ELECTRICAL

Contact Rating: 100 Amps nominal*
200 Amps intermittent*
300/400 Amps peak inrush*

Contact State: Normally Open (N/O)

Contact Life: Copper – 12K cycles
Silver Alloy – 50K cycles

Coil Voltage: 12VDC or 24VDC*

Coil Duty Cycle: Continuous – 100% @25°C*
Intermittent – 15% @ 25°C*

Insulation: Available in grounded or ungrounded variants.

MECHANICAL

Coil terminals: 10-32 Studs
Contact Terminals: 5/16-24 Studs

ENVIRONMENTAL

Operating Temp: -40°C to +60°C
Sealing: Unsealed

AVAILABLE OPTIONS

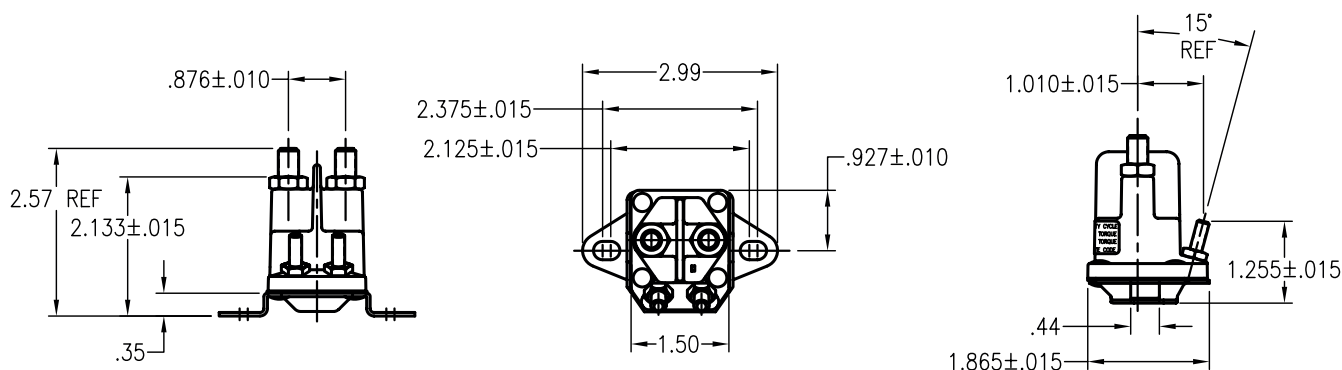
Alternate coil terminal styles; Alternate contact terminal sizes; Dust and/or liquid sealing; Various mounting brackets; Various coil voltages.

* detailed information available upon request

Models

Part No.	Voltage	Rating	Coil Duty	Grounding	Contacts	Bracket
764-1221-020*	12VDC	100 Amps	Continuous	Ungrounded	Silver Alloy	Flat On Base
784-1221-210	12VDC	200 Amps	Intermittent	Ungrounded	Copper	Flat On Base
784-1221-020	12VDC	100 Amps	Continuous	Ungrounded	Silver Alloy	Flat On Base
784-2421-020	24VDC	100 Amps	Continuous	Ungrounded	Silver Alloy	Flat On Base

* 6.35mm push-on terminals



Proudly distributed by:



16 Parkinson Lane
O'Connor WA 6163
Australia

Phone +61 8 9331 3100
Fax +61 8 9331 5150
Email mail@amelec.com.au
Web www.amelec.com.au