



ELECTRICAL

Contact Rating: 125 Amps nominal*
600/500 Amps peak inrush*
12/24VDC*

Contact State: Normally Open (N/O)

Contact Life: 50K cycles

Coil Voltage: 12VDC or 24VDC*

Coil Duty Cycle: 100% @25°C*

Insulation: Ungrounded

MECHANICAL

Coil terminals: 10-32 Studs

Contact Terminals: 5/16-24 Studs

ENVIRONMENTAL

Operating Temp: -40°C to +60°C

Sealing: Unsealed

AVAILABLE OPTIONS

Various mounting bracket styles; Intermittent rated coils; Various coil voltages; Grounded coil circuit.

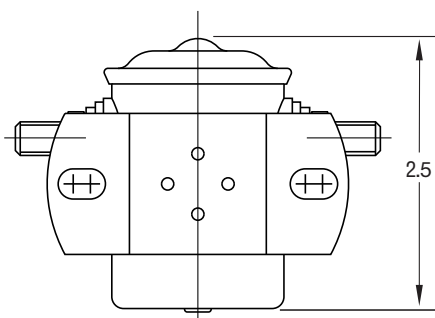
* detailed information available upon request

The traditional metal contactor has been redesigned by Trombetta to provide a high performance, electrically efficient and extremely robust device for demanding applications.

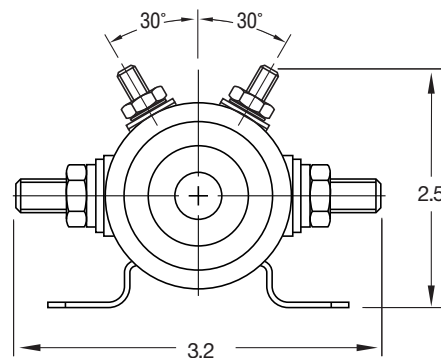
The Metal DC contactor range features high current carrying capacity in a compact metal housing. The universal mounting design makes it the ideal replacement for applications including mining, construction and agricultural equipment, military and emergency vehicles, buses, coaches, boats – anywhere a heavy duty contactor is required.

Models

Part No.	Voltage	Rating	Coil Duty	Grounding	Contacts	Bracket
974-1215-010	12VDC	125 Amps	Continuous	Ungrounded	Copper	Flat On Side
974-2415-010	24VDC	125 Amps	Continuous	Ungrounded	Copper	Flat On Side



Flat mount, closed slots. Other options available.



Proudly distributed by:



16 Parkinson Lane
O'Connor WA 6163
Australia

Phone +61 8 9331 3100
Fax +61 8 9331 5150
Email mail@amelec.com.au
Web www.amelec.com.au