

The P610 range of solenoid actuators are a dual wound design with independent control coils for both pull and hold functions. The advantage of separately controlled coils is that, when wired correctly, there is less risk of pull-in coil burnout as there is with dependently switched modules. The P610 range offers high pulling power in a compact package. Ideal for a vast range of applications in both stationary and mobile plant and equipment.

PROPERTIES

Stroke Length: 25.4mm (1")
 Net Pull Force: 67 Newtons (15lbf)
 Net Hold Force: 102 Newtons (23lbf)
 Weight: 0.6 kg (1.3lbs)

MECHANICAL

Termination: 300mm (12") flying leads
 Shaft thread: 1/4-28 UNF male
 Shaft length: 25.4mm (1")

ELECTRICAL

Pull Current: 48 Amps @ 12VDC
 25 Amps @ 24VDC
 Hold Current: 1 Amps @ 12VDC
 0.48 Amps @ 24VDC
 Design Voltage: 12VDC (24VDC optional)
 Duty Cycle: 100% of rated voltage @25°C
 Insulation: Ungrounded

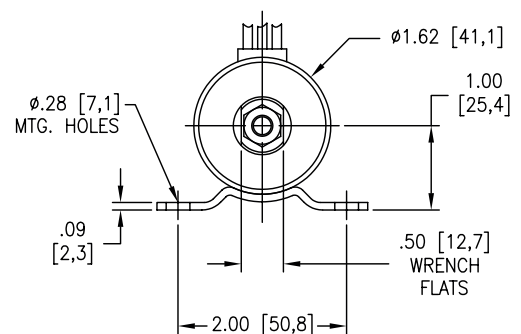
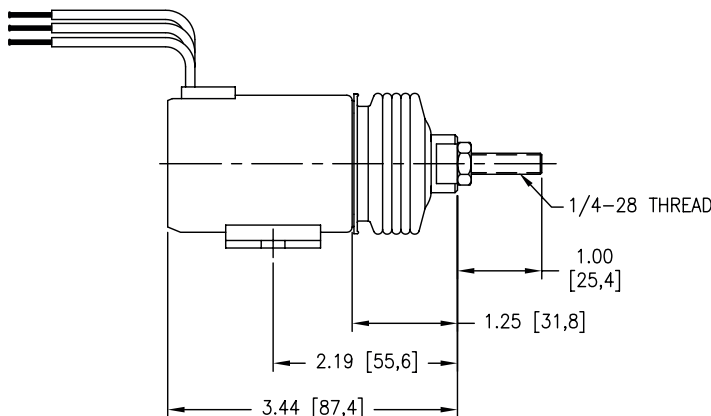
AVAILABLE OPTIONS

Return springs: Light and heavy duty
 Mounting brackets: Flange mounting models
 Reverse actuation: Push actuator models

* detailed information available upon request

Models

Model	Voltage	Configuration	Light Spring P/N	Heavy Spring P/N	Mounting
P610-A1V12	12VDC	Externally switched	F09514	F09513	Side
P610-A1V24	24VDC	Externally switched	F09514	F09513	Side



Proudly distributed by:



16 Parkinson Lane
 O'Connor WA 6163
 Australia

Phone +61 8 9331 3100
 Fax +61 8 9331 5150
 Email mail@amelec.com.au
 Web www.amelec.com.au