



PROPERTIES

Stroke Length: 25.4mm (1")
 Net Pull Force: 102 Newtons (23lbf)
 Net Hold Force: 191 Newtons (43lbf)
 Weight: 0.77 kg (1.7lbs)

MECHANICAL

Termination: 300mm (12") flying leads
 Shaft thread: 1/4-28 UNF male
 Shaft length: 25.4mm (1")

ELECTRICAL

Pull Current: 60 Amps @ 12VDC
 33 Amps @ 24VDC
 Hold Current: 0.9 Amps @ 12VDC
 0.5 Amps @ 24VDC
 Design Voltage: 12VDC or 24VDC
 Duty Cycle: 100% of rated voltage @25°C
 Insulation: Ungrounded

AVAILABLE OPTIONS

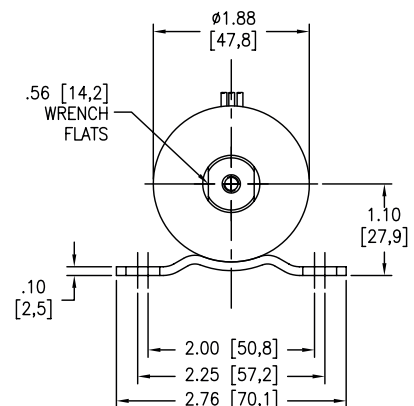
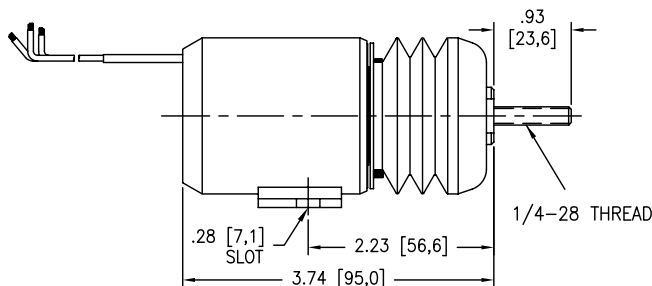
Return springs: Light and heavy duty
 Mounting brackets: Flange mounting models

The P612 range of solenoid actuators are a dual wound design with independent control coils for both pull and hold functions. The advantage of separately controlled coils is that, when wired correctly, there is less risk of pull-in coil burnout as there is with dependently switched modules. The P612 range offers high pulling power in a compact package. Ideal for a vast range of applications in both stationary and mobile plant and equipment.

* detailed information available upon request

Models

Model	Voltage	Configuration	Light Spring P/N	Heavy Spring P/N	Mounting
P612-A1V12	12VDC	Externally switched	E07358	F10399	Side
P612-A1V24	24VDC	Externally switched	E07358	F10399	Side



Proudly distributed by:



16 Parkinson Lane
 O'Connor WA 6163
 Australia

Phone +61 8 9331 3100
Fax +61 8 9331 5150
Email mail@amelec.com.au
Web www.amelec.com.au