



PROPERTIES

Stroke Length:	38.1mm (1.5")
Net Pull Force:	94 Newtons (21lbf)
Net Hold Force:	178 Newtons (40lbf)
Weight:	1.23 kg (2.7lbs)

MECHANICAL

Termination:	300mm (12") flying leads
Shaft thread:	1/4-28 UNF male
Shaft length:	25.4mm (1")

ELECTRICAL

Pull Current:	70 Amps @ 12VDC 36 Amps @ 24VDC
Hold Current:	0.88 Amps @ 12VDC 0.48 Amps @ 24VDC
Design Voltage:	12VDC or 24VDC
Duty Cycle:	100% of rated voltage @25°C
Insulation:	Ungrounded

AVAILABLE OPTIONS

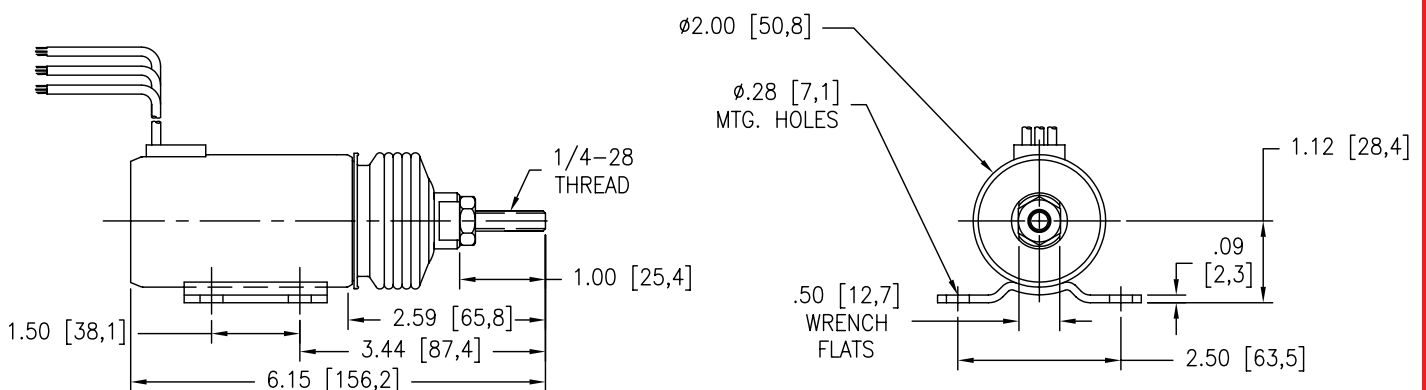
Return springs:	Light duty
Mounting brackets:	Flange mounting models
Reverse actuation:	Push actuator models

The P613 range of solenoid actuators are a dual wound design with independent control coils for both pull and hold functions. The advantage of separately controlled coils is that, when wired correctly, there is less risk of pull-in coil burnout as there is with dependently switched modules. The P613 range offers high pulling power in a compact package. Ideal for a vast range of applications in both stationary and mobile plant and equipment.

* detailed information available upon request

Models

Model	Voltage	Configuration	Light Spring P/N	Heavy Spring P/N	Mounting
P613-A1V12	12VDC	Externally switched	F10124	None	Side
P613-A1V24	24VDC	Externally switched	F10124	None	Side



Proudly distributed by:



16 Parkinson Lane
O'Connor WA 6163
Australia

Phone +61 8 9331 3100
Fax +61 8 9331 5150
Email mail@amelec.com.au
Web www.amelec.com.au