



The Trombetta PowerSeal range features an environmentally sealed housing to IEC 60529, IP66 and IP67 standard. It is the first contactor designed specifically for electric vehicles and other applications where environmental protection is a must. The sealed design is the core of the construction and is optimized for high performance at lower cost. Constructed from high impact plastic with zinc plated steel frame, the PowerSeal range is designed for high performance, durability and longevity.

ELECTRICAL

Contact Rating: 100 Amps nominal*
800 Amps peak inrush -

Contact State: Normally Open (N/O)

Contact Life: 100K cycles

Coil Voltage: 12VDC or 24VDC*

Coil Duty Cycle: Continuous – 100% @25°C*
Intermittent – 25% @ 25°C*

Insulation: Ungrounded.

MECHANICAL

Coil terminals: 10-32 Studs

Contact Terminals: 5/16-24 Studs

ENVIRONMENTAL

Operating Temp: -40°C to +65°C

Sealing: IP66 / IP67

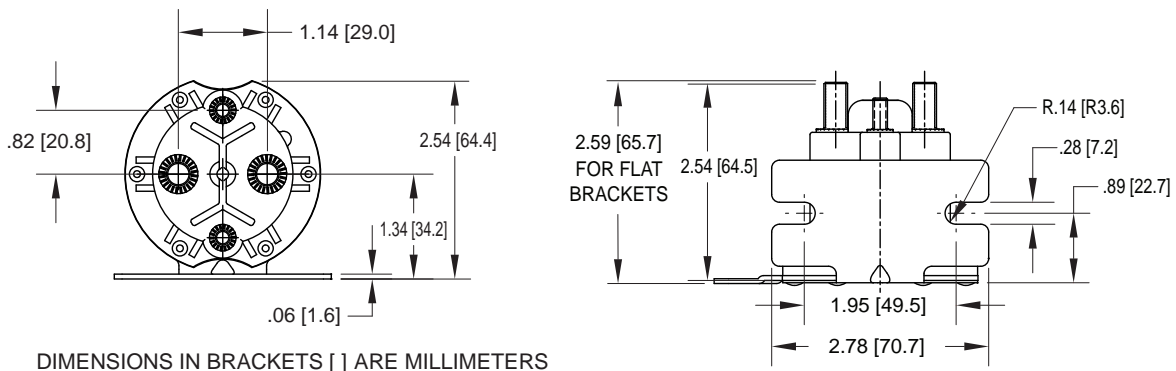
AVAILABLE OPTIONS

Various mounting bracket styles; Intermittent rated coils; Various coil voltages; Alternate coil terminals; Grounded coil circuit; Silver Alloy Contacts.

* detailed information available upon request

Models

Part No.	Voltage	Rating	Coil Duty	Grounding	Contacts	Bracket
684-1251-212	12VDC	150 Amps	Intermittent	Ungrounded	Copper	Flat On Side
684-2451-212	24VDC	150 Amps	Intermittent	Ungrounded	Copper	Flat On Side
684-1251-012	12VDC	150 Amps	Continuous	Ungrounded	Copper	Flat On Side
684-2451-012	24VDC	150 Amps	Continuous	Ungrounded	Copper	Flat On Side



Proudly distributed by:



16 Parkinson Lane
O'Connor WA 6163
Australia

Phone +61 8 9331 3100
Fax +61 8 9331 5150
Email mail@amelec.com.au
Web www.amelec.com.au