



### ELECTRICAL

<b>Contact Rating:</b>	75 Amps for 5 minutes* 150 Amps peak inrush (copper)* 500 Amps peak inrush (silver)*
<b>Contact State:</b>	Normally Open (N/O)
<b>Contact Life:</b>	Copper – 10K cycles Silver Alloy – 5K cycles
<b>Coil Voltage:</b>	12VDC or 24VDC*
<b>Coil Duty Cycle:</b>	20% @25°C*
<b>Insulation:</b>	Ungrounded

### MECHANICAL

<b>Coil terminals:</b>	1/4" (6.35mm) QC Terminals
<b>Contact Terminals:</b>	5/16-24 Studs

### ENVIRONMENTAL

<b>Operating Temp:</b>	-40°C to +60°C
<b>Sealing:</b>	Unsealed

### AVAILABLE OPTIONS

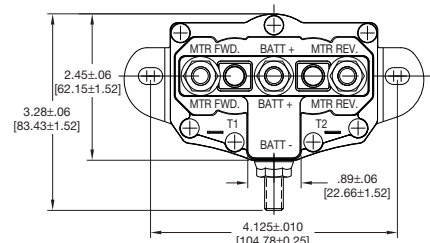
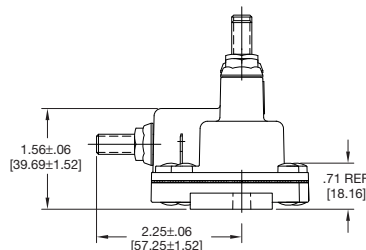
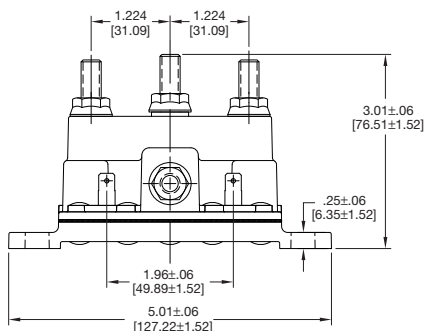
- Hose clamp mounting bracket;
- Silver plated contact studs.

Trombetta's Reversing Polarity (RP) DC contactors provide a cost effective and simple solution for reversing direction of permanent magnet DC motors. By integrating two DC Contactors into a single unit, Trombetta has provided an efficient means for manufacturers and installers to reduce assembly costs. The RP is perfect for any application that requires reversing motion, such as winching, lifting, sliding and levelling systems in a multitude of transport applications.

\* detailed information available upon request

## Models

Part No.	Voltage	Rating	Coil Duty	Grounding	Contacts	Bracket
214-1231-A11	12VDC	75 Amps	Intermittent	Ungrounded	Copper	Moulded Base
214-1231-A61-06	12VDC	75 Amps	Intermittent	Ungrounded	Silver Alloy	Moulded Base
214-2431-A61-06	24VDC	75 Amps	Intermittent	Ungrounded	Silver Alloy	Moulded Base



Dimensions in Brackets [ ] are metric

Proudly distributed by:



16 Parkinson Lane  
O'Connor WA 6163  
Australia

**Phone** +61 8 9331 3100  
**Fax** +61 8 9331 5150  
**Email** [mail@amelec.com.au](mailto:mail@amelec.com.au)  
**Web** [www.amelec.com.au](http://www.amelec.com.au)