

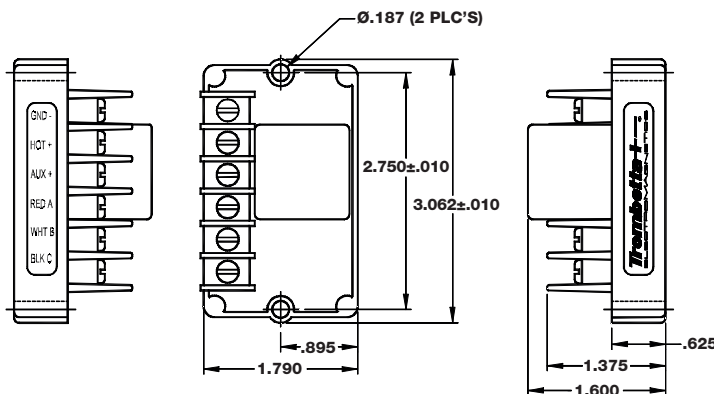


| | |
|------------------------------|---------------------------------------|
| Operating Voltage: | 10-32VDC |
| Max Load Current: | 80 Amps @ 12VDC 0.48 Amps @ 24VDC* |
| Max Load Power: | 1000 Watts* |
| Actuation Time: | Approx 0.5 seconds |
| Aux Input Voltage: | 8.2VDC minimum |
| Reverse Polarity protection: | Yes |
| Insulation: | Ungrounded |
| Termination: | Screw terminals |

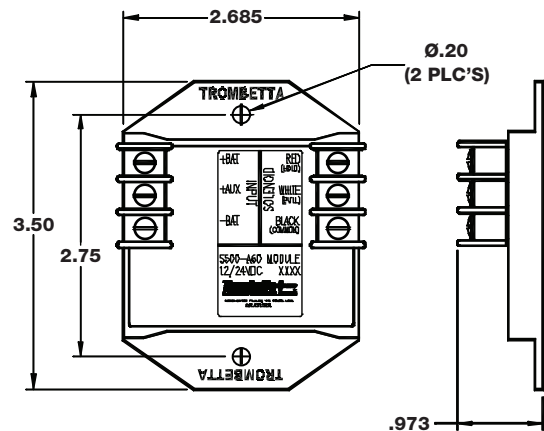
* An external contactor must be used for operation of 24VDC coils

The S500 range of Voltage Control Over-Energizer (VCOE) are Trombetta's solution for precise and efficient control of dual winding solenoid actuators. These special modules are designed to enhance performance by increasing force capability and reducing operating temperature. They regulate the electrical power applied to the coils during pull and hold operation to optimize the performance of the solenoid. Available in both solid state and electro-mechanical control (relay) models.

S500-A6



S500-A60



Proudly distributed by:



16 Parkinson Lane
O'Connor WA 6163
Australia

Phone +61 8 9331 3100
Fax +61 8 9331 5150
Email mail@amelec.com.au
Web www.amelec.com.au