

# Solid State Control Module S500-A60



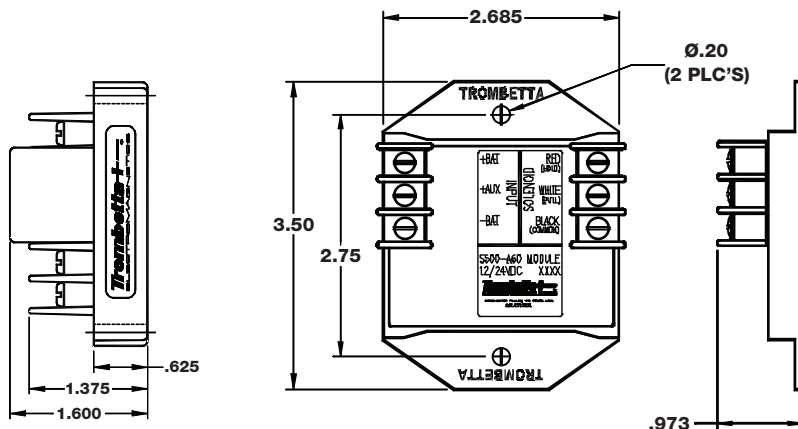
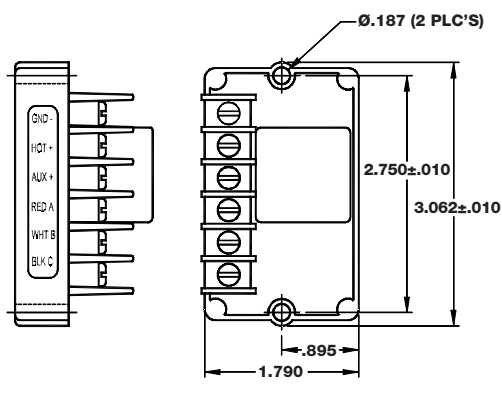
Operating Voltage:	8.5-32VDC*
Max Load Current:	80 Amps @ 12VDC 40 Amps @ 24VDC
Max Load Power:	1000 Watts
Actuation Time:	Approx 0.5 seconds
Aux Input Voltage:	8.2VDC minimum
Reverse Polarity protection:	Yes
Insulation:	Ungrounded
Termination:	Screw terminals

\* Minimum voltage required to ensure bcomplete pull-in activation

The S500 range of Voltage Control Over-Energizer (VCOE) are Trombetta's solution for precise and efficient control of dual winding solenoid actuators. These special modules are designed to enhance performance by increasing force capability and reducing operating temperature. They regulate the electrical power applied to the coils during pull and hold operation to optimize the performance of the solenoid. Available in both solid state and electro-mechanical control (relay) models.

S500-A6

S500-A60



Proudly distributed by:



16 Parkinson Lane  
O'Connor WA 6163  
Australia

**Phone** +61 8 9331 3100  
**Fax** +61 8 9331 5150  
**Email** [mail@amelec.com.au](mailto:mail@amelec.com.au)  
**Web** [www.amelec.com.au](http://www.amelec.com.au)