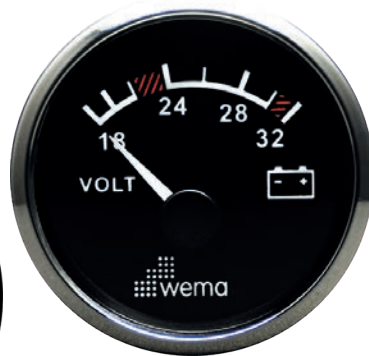




IMVR-BB-18-32



IMVR-BS-18-32

A system voltage meter for monitoring battery condition in 24 Volt DC applications. Ideal for checking charging voltages from various supplies and testing battery banks before switching from one supply to another.

| Model | Bezel | Range |
|---------------|-----------|----------|
| IMVR-BB-18-32 | Plastic | 16-32VDC |
| IMVR-BS-18-32 | Stainless | 16-32VDC |

Code numbers

IMVR-BB-18-32, IMVR-BS-18-32.

Operating voltage

24 VDC;

Material

316 stainless steel bezel with curved glass;

Protection

IP67 protection rating for the whole gauge;
can work up to 1m underwater;

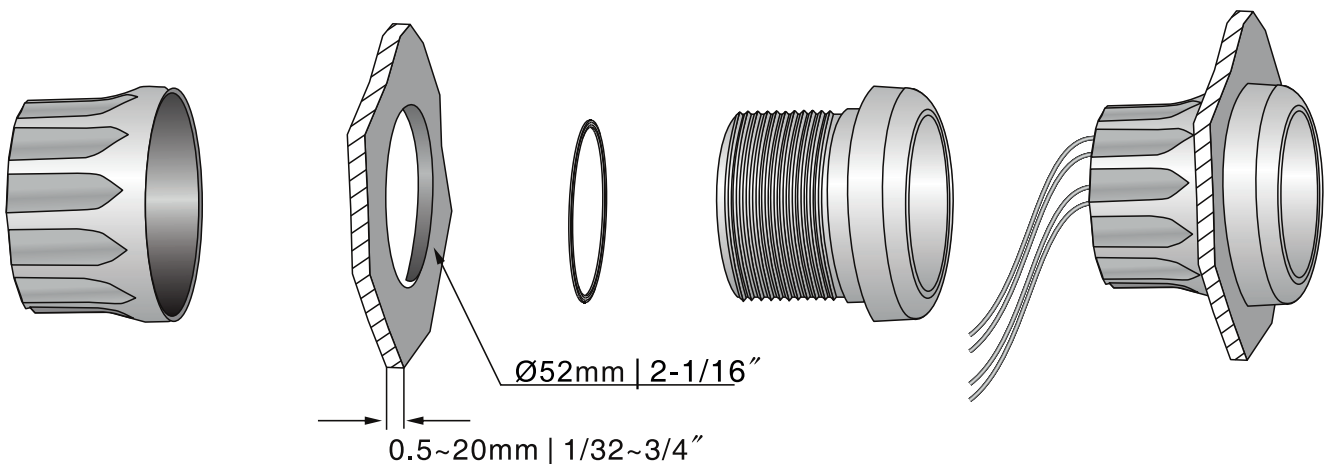
Features

Excellent anti-fogging performance;

Easy installation with multi-plug socket connection design;

Backlight

red or yellow.



Proudly distributed by:



16 Parkinson Lane
O'Connor WA 6163
Australia

Phone +61 8 9331 3100
Fax +61 8 9331 5150
Email mail@amelec.com.au
Web www.amelec.com.au