



EAR-BB-150



EAR-BS-150

The Ammeter provides an overview of the entire electric system, signifying to the user whether the system is charging or draining the battery charge. The Digital Ammeter is available for 150A and includes a current pick-up unit.

Model	Bezel	Range
EAR-BB-150	Plastic	-150 to +150 Amps
EAR-BS-150	Stainless	-150 to +150 Amps

Code numbers

EAR-BB-150, EAR-BS-150.

Resolution

+/-1 amp;

Input voltage

universal connection 9-32VDC;

Material

316 stainless steel bezel with curved glass;

Protection

IP67 protection rating for the whole gauge;

can work up to 1m underwater;

Features

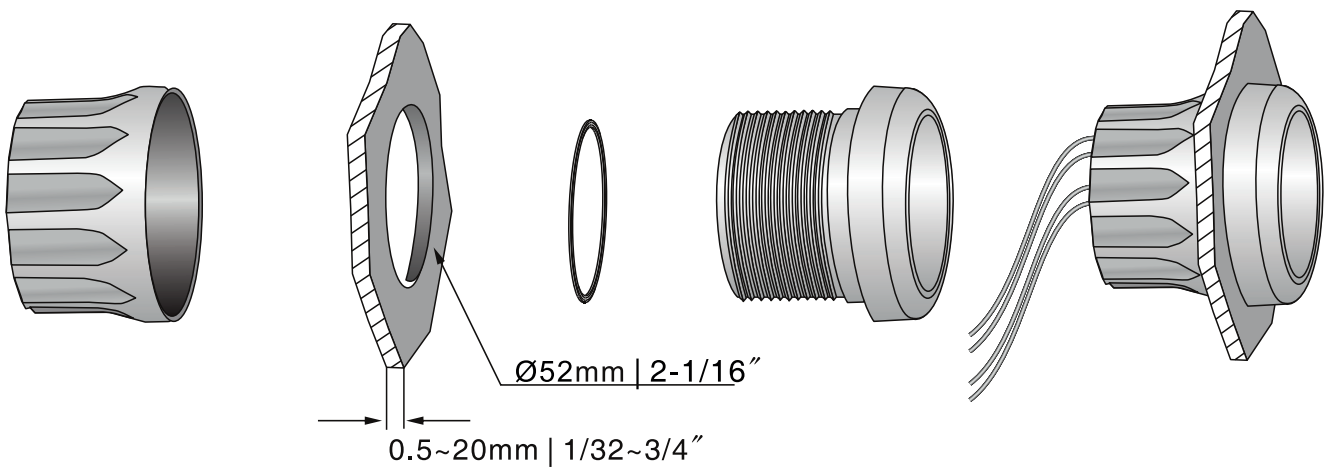
Complete kit, including shunt;

Excellent anti-fogging performance;

Easy installation with multi-plug socket connection design;

Backlight

red or yellow.



Proudly distributed by:



16 Parkinson Lane
O'Connor WA 6163
Australia

Phone +61 8 9331 3100
Fax +61 8 9331 5150
Email mail@amelec.com.au
Web www.amelec.com.au