



ICUR-BB

ICUR-BS

LCD Hourmeter is a great alternative to the traditional analog Hourmeter. The digital display eliminates the possibility of mechanical failure on the counter, thereby giving an accurate count of the engine hour.

| Model   | Bezel     | Max count     |
|---------|-----------|---------------|
| ICUR-BB | Plastic   | 99999.9 hours |
| ICUR-BS | Stainless | 99999.9 hours |

**Code numbers** ICUR-BB, ICUR-BS.

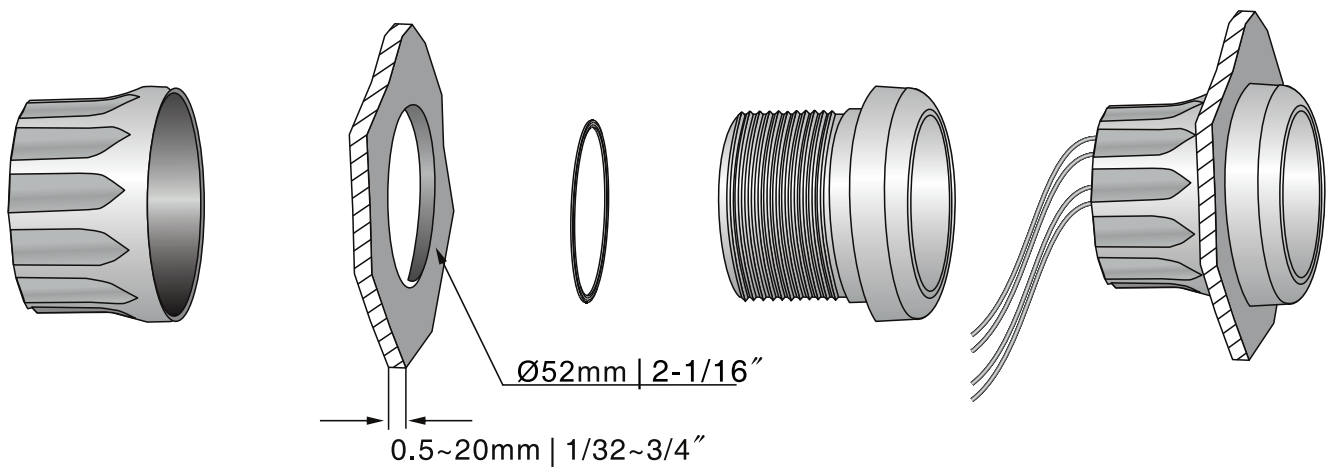
**Input voltage** universal connection 9-32VDC;

**Material** 316 stainless steel bezel with curved glass;

**Protection** IP67 protection rating for the whole gauge;

**Features** can work up to 1m underwater;

**Backlight** Excellent anti-fogging performance;  
Easy installation with multi-plug socket connection design;  
red or yellow.



Proudly distributed by:



16 Parkinson Lane  
O'Connor WA 6163  
Australia

**Phone** +61 8 9331 3100  
**Fax** +61 8 9331 5150  
**Email** [mail@amelec.com.au](mailto:mail@amelec.com.au)  
**Web** [www.amelec.com.au](http://www.amelec.com.au)