



IEVR-BB-8-32

IEVR-BS-8-32

The Voltmeter allows the user the monitor their vehicle's electrical system, ensuring that it is operating properly and efficiently. The Digital Voltmeter allows the user to measure 8V-32V.

Model	Bezel	Range
IEVR-BB-8-32	Plastic	8-32VDC
IEVR-BS-8-32	Stainless	8-32VDC

Code numbers

IEVR-BB-8-32, IEVR-BS-8-32.

Input voltage

universal connection 9-32VDC;

Material

316 stainless steel bezel with curved glass;

Protection

IP67 protection rating for the whole gauge;

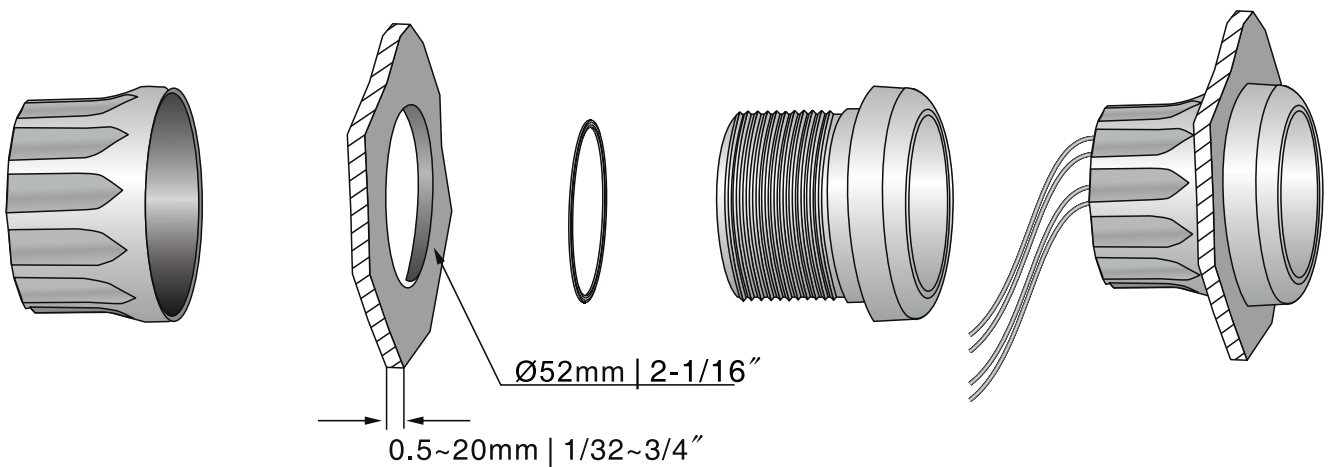
Features

Excellent anti-fogging performance;

Easy installation with multi-plug socket connection design;

Backlight

red or yellow.



Proudly distributed by:



16 Parkinson Lane
O'Connor WA 6163
Australia

Phone +61 8 9331 3100
Fax +61 8 9331 5150
Email mail@amelec.com.au
Web www.amelec.com.au