



A range of RPM indicators for petrol engine applications with the added benefit of an integrated hourmeter. Suitable for conventional ignition (2 and 4 cycle) signal input.

Model	Bezel	Range
IMHB-BB-8KL	Plastic	0 - 8000 rpm
IMHB-BS-8KL	Stainless	0 - 8000 rpm

IMHB-BS-8KL

IMHB-BB-8KL

Code numbers

Input voltage

Operating voltage

Material

Protection

Features

Backlight

IMHB-BB-8KL, IMHB-BS-8KL.

universal connection 9-32VDC;

12 VDC - default;

- Compatible also with 24V for stepping motor and LCD type gauges;

- Require an extra resistor to work with 24V for cross coil type gauge;

316 stainless steel bezel with curved glass;

IP67 protection rating for the whole gauge;

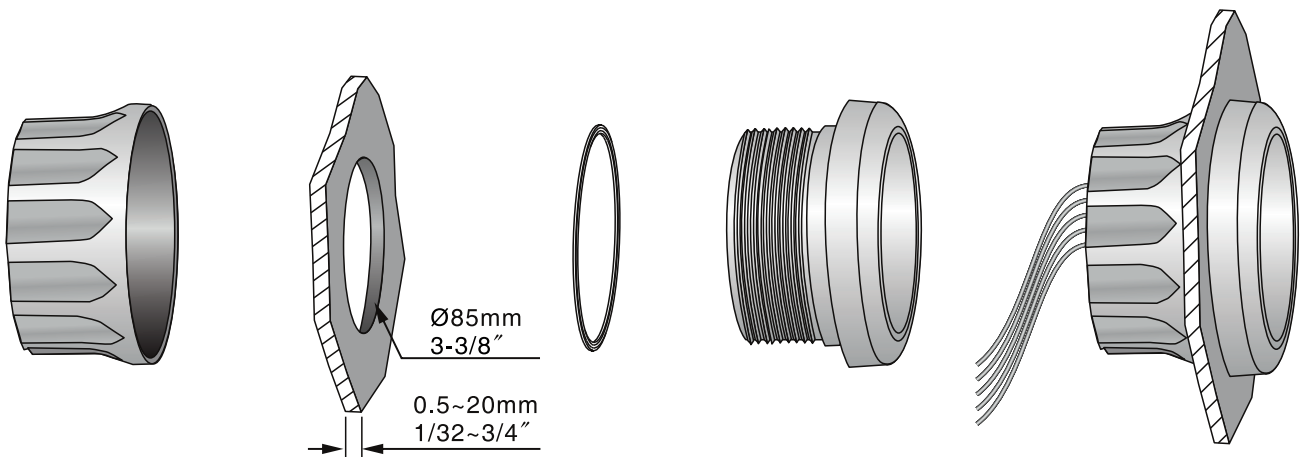
can work up to 1m underwater;

Suitable for conventional (2 and 4 cycle) signal input;

Excellent anti-fogging performance;

Easy installation with multi-plug socket connection design;

red or yellow.



Proudly distributed by:



16 Parkinson Lane
O'Connor WA 6163
Australia

Phone +61 8 9331 3100
Fax +61 8 9331 5150
Email mail@amelec.com.au
Web www.amelec.com.au