



IPPR-BB-0-5



IPPR-BS-0-10

The Oil Pressure Gauge allows the user to monitor the oil pressure of their system, ensuring all the components are properly lubricated for optimal performance. The Engine Oil Pressure Gauge are available in 0-75 psi (0-5 bar), 0-145 psi (0-10 bar).

| Model | Resistance | Bezel | Range |
|--------------|-------------|-----------|------------|
| IPPR-BB-0-5 | 10-185 Ohms | Plastic | 0 - 5 bar |
| IPPR-BS-0-5 | 10-185 Ohms | Stainless | 0 - 5 bar |
| IPPR-BB-0-10 | 10-185 Ohms | Plastic | 0 - 10 bar |
| IPPR-BS-0-10 | 10-185 Ohms | Stainless | 0 - 10 bar |

Code numbers

IPPR-BB-0-5, IPPR-BS-0-5, IPPR-BB-0-10, IPPR-BS-0-10.

Operating voltage

12 VDC - default;

- Compatible also with 24V for stepping motor and LCD type gauges;
- Require an extra resistor to work with 24V for cross coil type gauge;

Material

316 stainless steel bezel with curved glass;

Protection

IP67 protection rating for the whole gauge; can work up to 1m underwater;

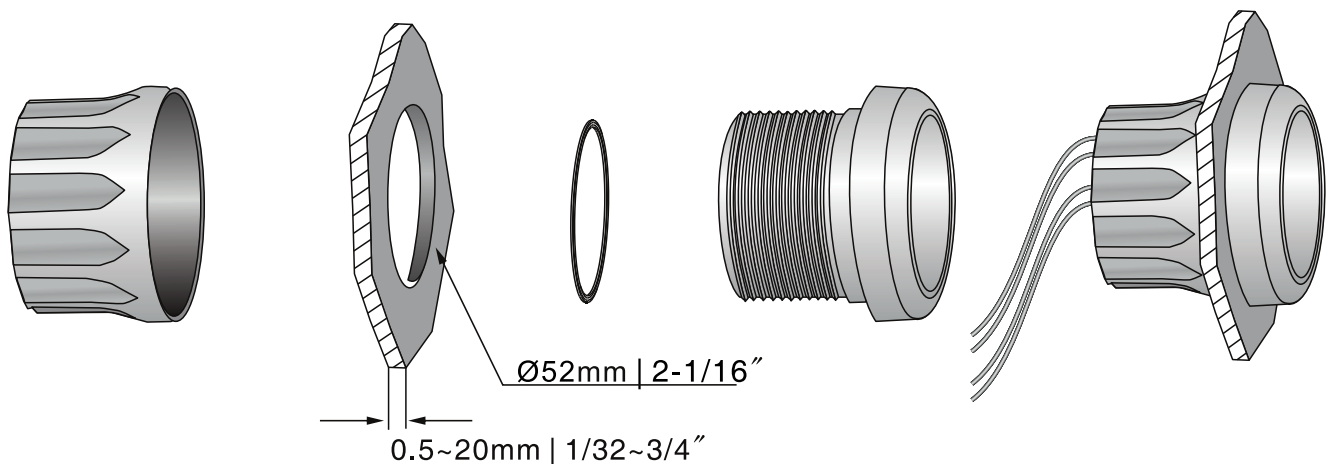
Features

Excellent anti-fogging performance;

Easy installation with multi-plug socket connection design;

Backlight

red or yellow.



Proudly distributed by:



16 Parkinson Lane
O'Connor WA 6163
Australia

Phone +61 8 9331 3100
Fax +61 8 9331 5150
Email mail@amelec.com.au
Web www.amelec.com.au