



IPPR-BB-0-2



IPPR-BS-0-2

The Pressure Gauge allows the user to monitor the oil pressure of their system, ensuring all the components are properly lubricated for optimal performance. The Turbo Boost Pressure Gauge is available in 0-30 psi (0-2bar).

Model	Resistance	Bezel	Range
IPPR-BB-0-2	10-185 Ohms	Plastic	0 - 2 bar
IPPR-BS-0-2	10-185 Ohms	Stainless	0 - 2 bar

**Code numbers**  
**Operating voltage**

IPPR-BB-0-2, IPPR-BS-0-2.

12 VDC - default;

- Compatible also with 24V for stepping motor and LCD type gauges;
- Require an extra resistor to work with 24V for cross coil type gauge;

**Material**  
**Protection**

316 stainless steel bezel with curved glass;  
IP67 protection rating for the whole gauge;  
can work up to 1m underwater;

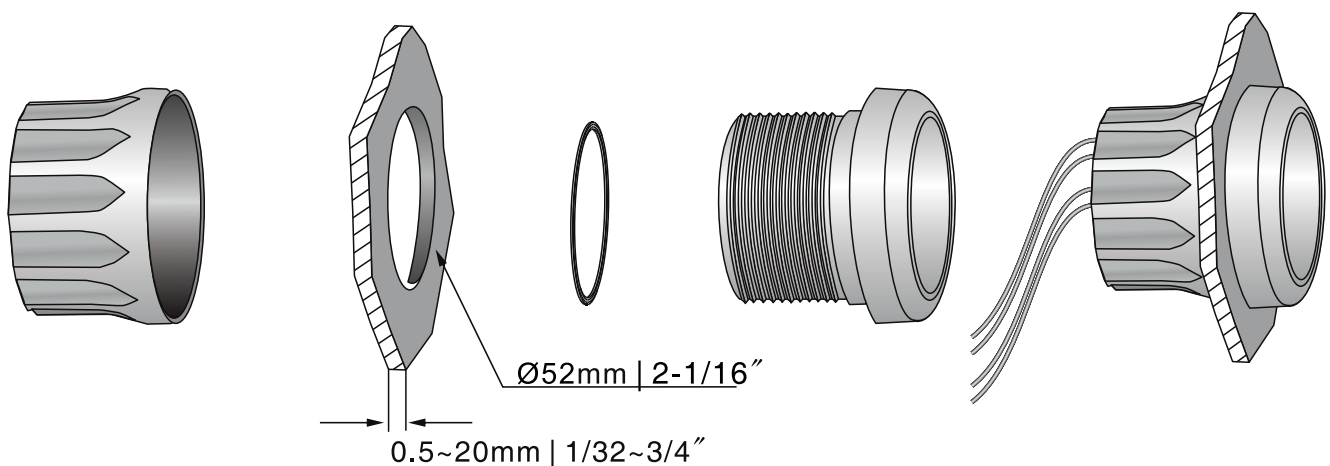
**Features**

Excellent anti-fogging performance;

Easy installation with multi-plug socket connection design;

**Backlight**

red or yellow.



Proudly distributed by:



16 Parkinson Lane  
O'Connor WA 6163  
Australia

**Phone** +61 8 9331 3100  
**Fax** +61 8 9331 5150  
**Email** [mail@amelec.com.au](mailto:mail@amelec.com.au)  
**Web** [www.amelec.com.au](http://www.amelec.com.au)