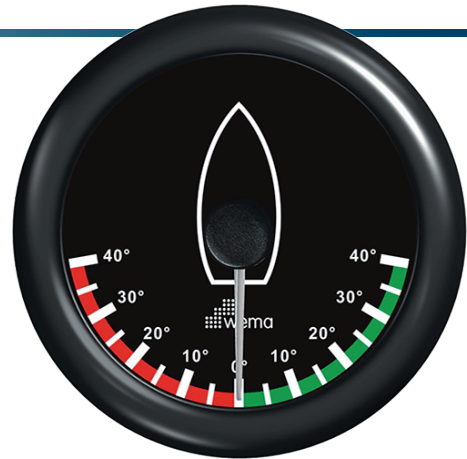




IMRR-5-BB



IMRR-5-BS



IMRR-6-BB

Model	Size	Resistance	Bezel
IMRR-5-BB	52mm	0-190 Ohms	Plastic
IMRR-5-BS	52mm	0-190 Ohms	Stainless
IMRR-6-BB	85mm	0-190 Ohms	Plastic

Code numbers
Input voltage
Operating voltage

IMRR-5-BB, IMRR-5-BS, IMRR-6-BB.

universal connection 9-32VDC;

12 VDC - default;

- Compatible also with 24V for stepping motor and LCD type gauges;
 - Require an extra resistor to work with 24V for cross coil type gauge;

Material
Protection

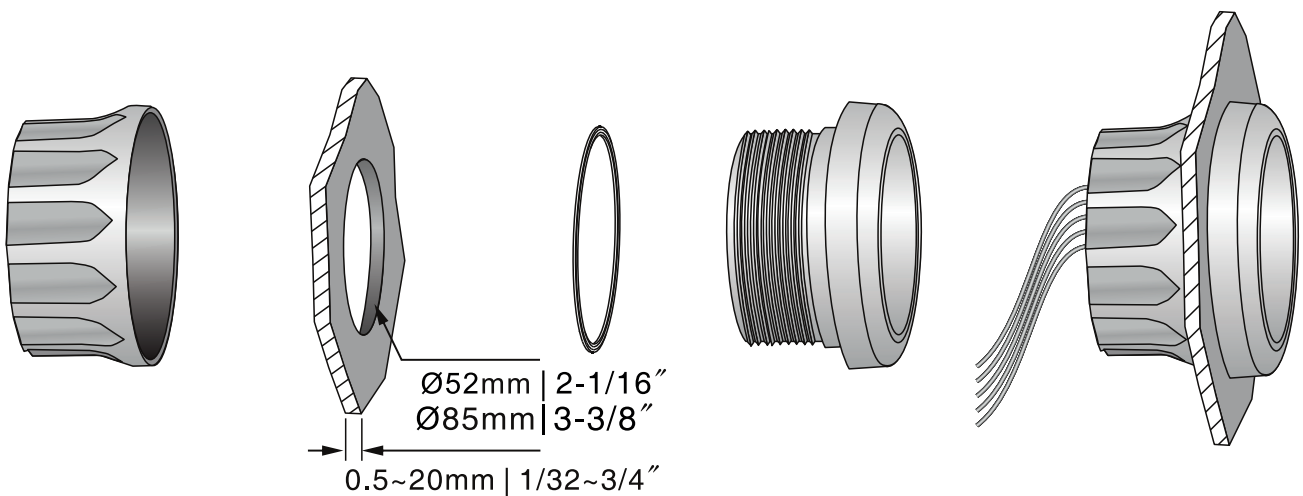
316 stainless steel bezel with curved glass;
 IP67 protection rating for the whole gauge;
 can work up to 1m underwater;

Features

Excellent anti-fogging performance;
 Easy installation with multi-plug socket connection design;

Backlight

red or yellow.



Proudly distributed by:



16 Parkinson Lane
 O'Connor WA 6163
 Australia

Phone +61 8 9331 3100
Fax +61 8 9331 5150
Email mail@amelec.com.au
Web www.amelec.com.au