

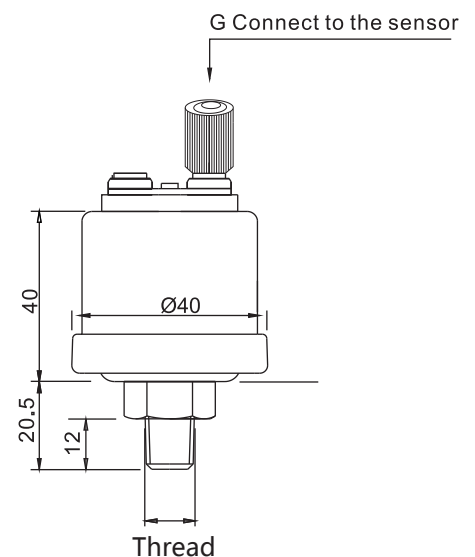


It combines the advantages of excellent anti-vibration performance, long service life, simple assembly process, stable quality, wide range of operating temperature, etc.

It is largely applied to many fields, such as the engine pipe of vehicles and ships, water processing projects, inspection and control of industrial processes, hydraulic and pneumatic control projects, etc.

Model	Range	Form
319005	0 - 5 bar	Grounded
319010	0 - 10 bar	Grounded

<b>Operating voltage</b>	6 - 24V;
<b>Conducting power</b>	<5W;
<b>Operating temp.</b>	+40°C ~ +85°C;
<b>Measuring range</b>	0 - 5 bar and 0 - 10 bar
<b>Resistance</b>	10 - 184 Ohms;
<b>Protection</b>	IP66;
<b>Thread</b>	1/8" NPTF.



Proudly distributed by:



16 Parkinson Lane  
O'Connor WA 6163  
Australia

**Phone** +61 8 9331 3100  
**Fax** +61 8 9331 5150  
**Email** [mail@amelec.com.au](mailto:mail@amelec.com.au)  
**Web** [www.amelec.com.au](http://www.amelec.com.au)