



IPTR-BB



IPTR-BS

The Coolant Temperature Gauge allows the user to remotely monitor the engine's coolant temperature, ensuring it does not overheat, thus avoiding major and expensive damages to the engine.

Model	Resistance	Bezel	Range
IPTR-BB	260-23 Ohms	Plastic	40 - 120°C
IPTR-BS	260-23 Ohms	Stainless	40 - 120°C

Code numbers
Operating voltage

IPTR-BB, IPTR-BS.
12 VDC - default;

- Compatible also with 24V for stepping motor and LCD type gauges;
- Require an extra resistor to work with 24V for cross coil type gauge;

Material
Protection

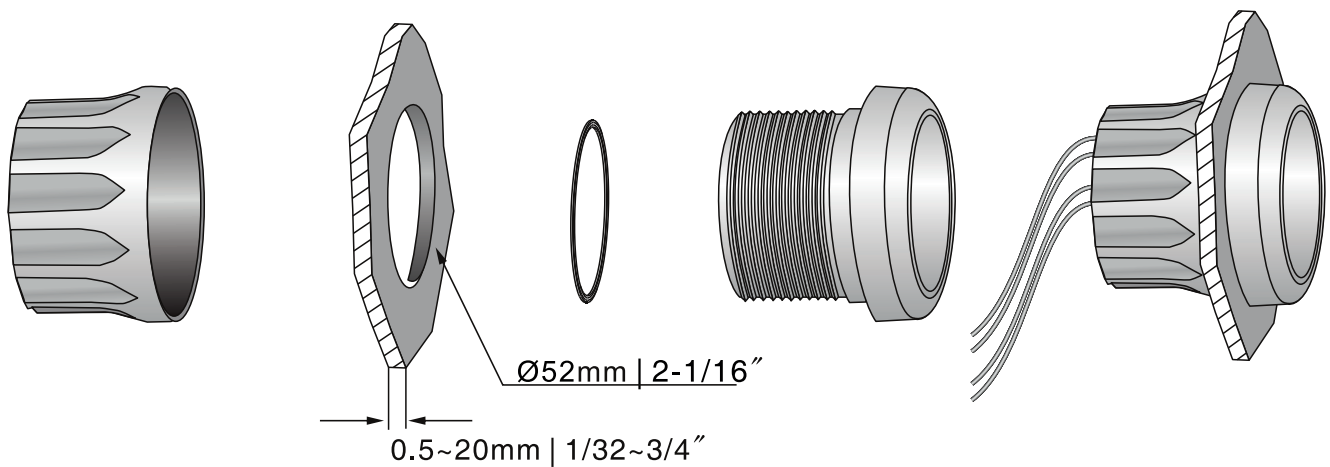
316 stainless steel bezel with curved glass;
IP67 protection rating for the whole gauge;
can work up to 1m underwater;

Features

Excellent anti-fogging performance;
Easy installation with multi-plug socket connection design;

Backlight

red or yellow.



Proudly distributed by:



16 Parkinson Lane
O'Connor WA 6163
Australia

Phone +61 8 9331 3100
Fax +61 8 9331 5150
Email mail@amelec.com.au
Web www.amelec.com.au