



IMTR-BB



IMTR-BS

Model	Signal	Bezel	Range
IMTR-BB	K-type	Plastic	0 - 800°C
IMTR-BS	K-type	Stainless	0 - 800°C

Code numbers
Operating voltage

IMTR-BB, IMTR-BS.

12 VDC - default;

- Compatible also with 24V for stepping motor and LCD type gauges;
- Require an extra resistor to work with 24V for cross coil type gauge;

Material
Protection

316 stainless steel bezel with curved glass;
IP67 protection rating for the whole gauge;
can work up to 1m underwater;

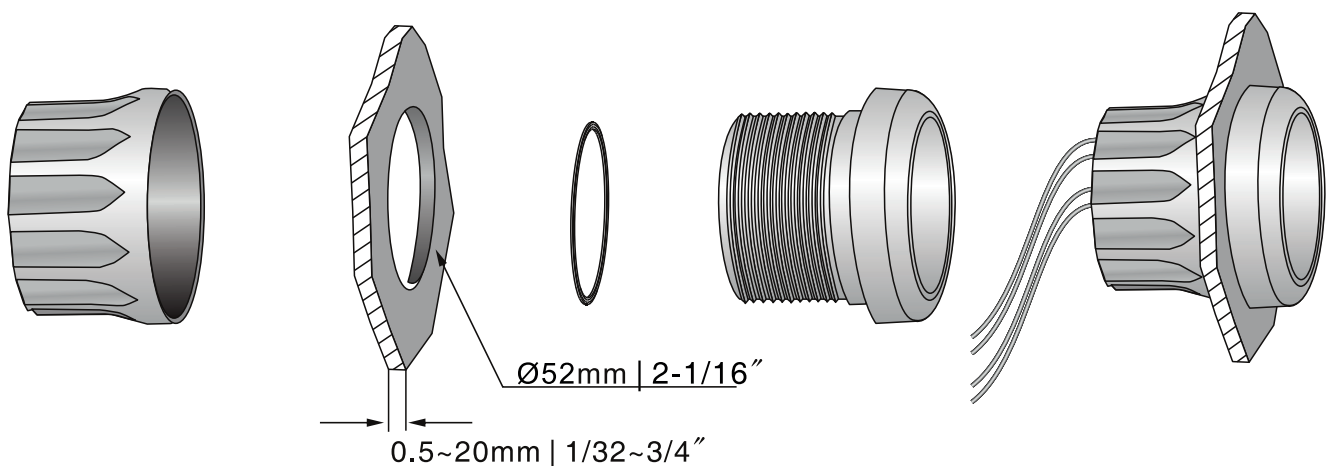
Features

Excellent anti-fogging performance;

Easy installation with multi-plug socket connection design;

Backlight

red or yellow.



Proudly distributed by:



16 Parkinson Lane
O'Connor WA 6163
Australia

Phone +61 8 9331 3100
Fax +61 8 9331 5150
Email mail@amelec.com.au
Web www.amelec.com.au