



IPYR-BB



IPYR-BS

The Oil Temperature Gauge allows the user to closely monitor the engine oil's temperature, ensuring the motor oil has not degraded prematurely thereby preventing additional wear and damage to the engine and its components.

Model	Resistance	Bezel	Range
IPYR-BB	260-23 Ohms	Plastic	40 - 120°C
IPYR-BS	260-23 Ohms	Stainless	40 - 120°C

Code numbers

IPYR-BB, IPYR-BS.

Operating voltage

12 VDC - default;

- Compatible also with 24V for stepping motor and LCD type gauges;
- Require an extra resistor to work with 24V for cross coil type gauge;

Material

316 stainless steel bezel with curved glass;

Protection

 IP67 protection rating for the whole gauge;
 can work up to 1m underwater;

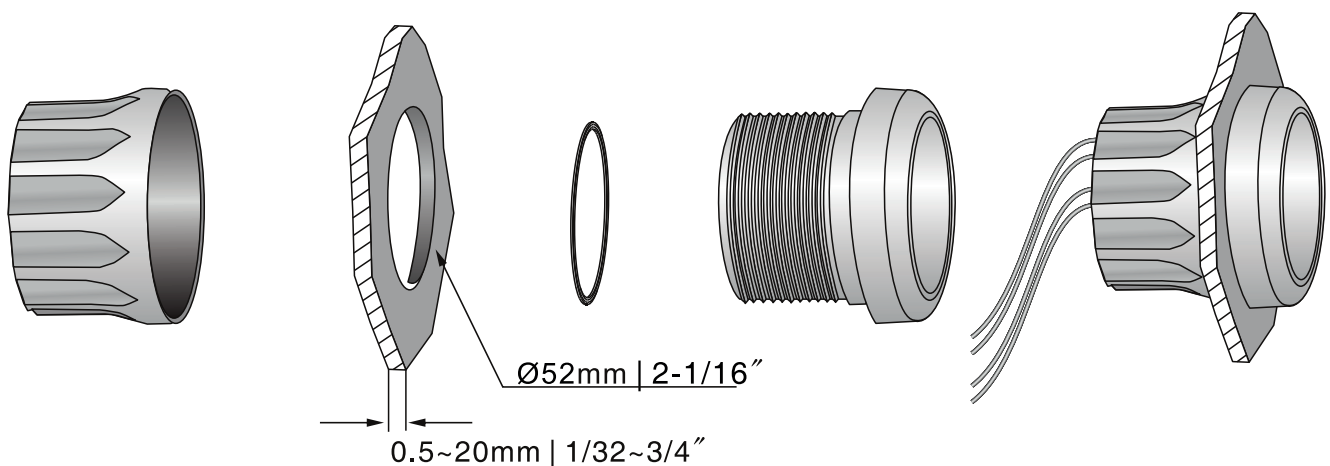
Features

Excellent anti-fogging performance;

Easy installation with multi-plug socket connection design;

Backlight

red or yellow.



Proudly distributed by:


 16 Parkinson Lane
 O'Connor WA 6163
 Australia

Phone +61 8 9331 3100
Fax +61 8 9331 5150
Email mail@amelec.com.au
Web www.amelec.com.au