



IPWR-BB



IPWR-BS

Model	Resistance	Bezel	Range
IPWR-BB	0-190 Ohms	Plastic	E - F
IPWR-BS	0-190 Ohms	Stainless	E - F

**Code numbers**  
**Operating voltage**

IPWR-BB, IPWR-BS.

12 VDC - default;

- Compatible also with 24V for stepping motor and LCD type gauges;
- Require an extra resistor to work with 24V for cross coil type gauge;

**Material**  
**Protection**

316 stainless steel bezel with curved glass;  
IP67 protection rating for the whole gauge;  
can work up to 1m underwater;

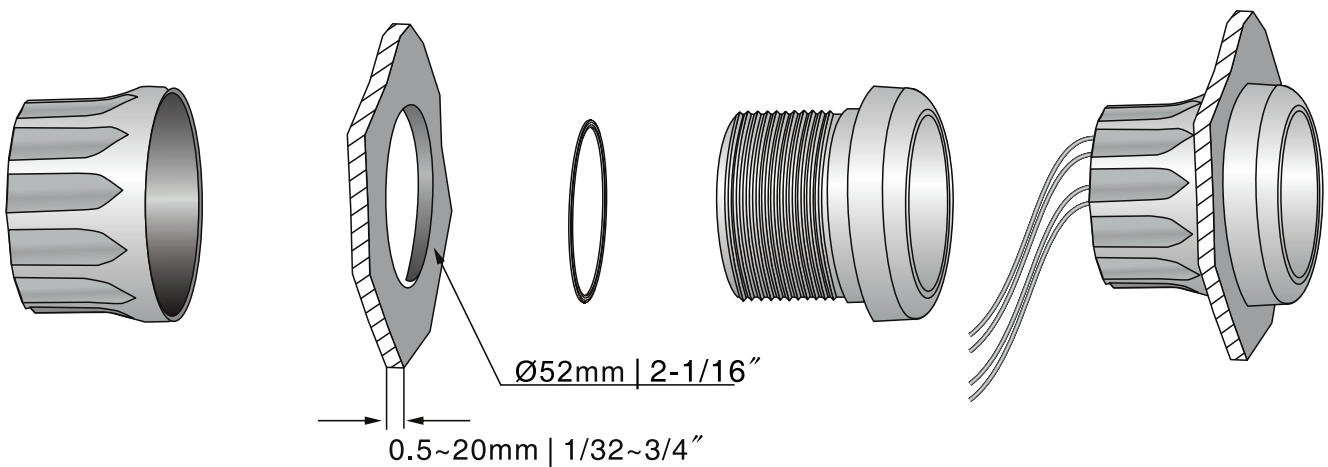
**Features**

Excellent anti-fogging performance;

Easy installation with multi-plug socket connection design;

**Backlight**

red or yellow.



Proudly distributed by:



16 Parkinson Lane  
O'Connor WA 6163  
Australia

**Phone** +61 8 9331 3100  
**Fax** +61 8 9331 5150  
**Email** [mail@amelec.com.au](mailto:mail@amelec.com.au)  
**Web** [www.amelec.com.au](http://www.amelec.com.au)