



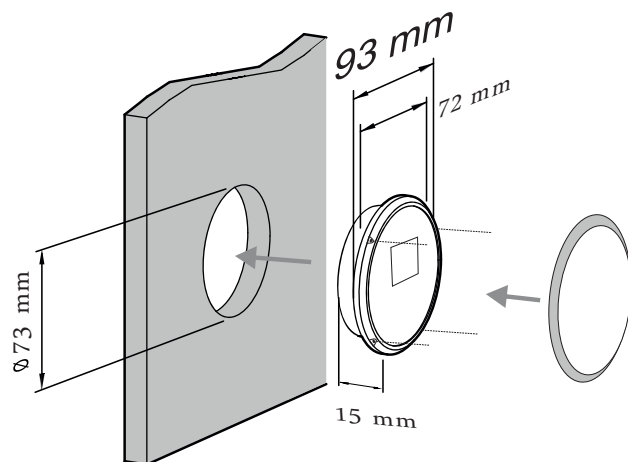
Analyze Your Battery Bank

SUPPLIED WITH

Temperature sensor (1 electric sensor) and Shunt (1 shunt 300 Amps/100mV)

Voltage	12V DC or 24V DC (+/-25%), automatic selection
Power consumption	
- normal	10mA approx.
- alarm	30mA approx.
Display type	Graphic OLED display 4 lines
Parameter selection	5 way navigation keypad
Parameters displayed:	
Batteries 1 & 2	Voltage, Current, Temperature & Capacity
Batteries 3 & 4	Voltage
Alarm functions - Batteries 1 & 2	Battery undervoltage (adjustable); Battery overvoltage; Excessive temperature; Low capacity.
Alarm functions - Batteries 3 & 4	Battery undervoltage (adjustable); Battery overvoltage.
Alarm output	Dry loop, 1 inv - 1 Amp max.
Battery capacity	Between 10 and 5000Ah
Security	Delayed fuse 100 mA on +
Operating Temperature	-10°C to +50°C
Operating Humidity	10% to 70% without condensation
Convection	Natural
Presentation	Flush mounted Ø 52 mm
Dimensions	70 x 70 x 32mm
Weight	< 500g
Connection	2 screw terminals

Part No.	Model
399032	Bat View 2.0



Proudly distributed by:



16 Parkinson Lane
O'Connor WA 6163
Australia

Phone +61 8 9331 3100
Fax +61 8 9331 5150
Email mail@amelec.com.au
Web www.amelec.com.au