

Dolphin pro

24V 100A Charger

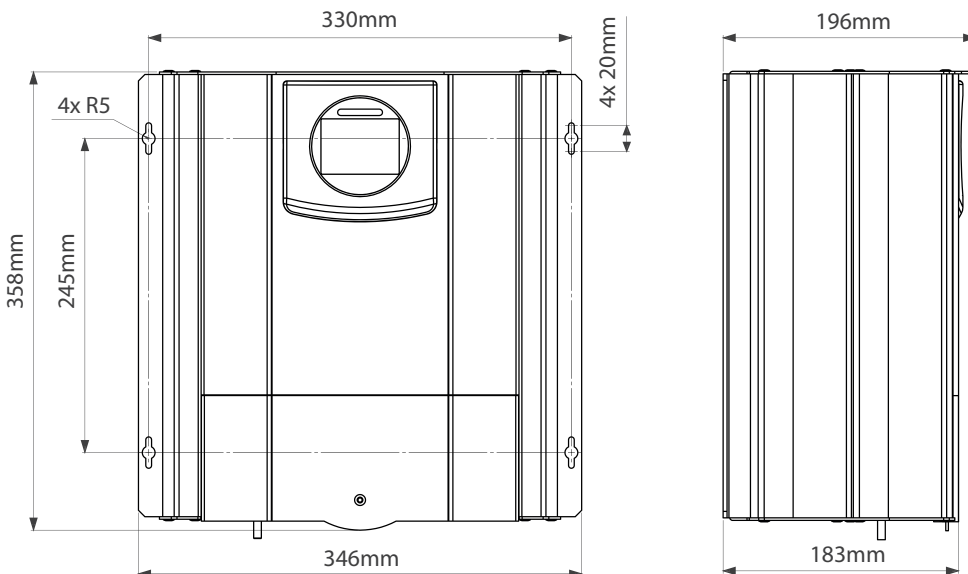


Plug and Play Battery Charger

Protection:

- Output overload
- Excessive internal temperature
- Charging voltage too high
- Reverse battery polarity (fuse)

| | |
|---|--|
| Input Voltage | 230V (+/-15%) |
| Frequency | 50Hz / 60Hz (+/-10%) |
| Cos | > 0.9 typ |
| Efficiency | 0.87 |
| Max. Current 115V/230V | 17A |
| Input Fuse (6.3x32mm) | 2 x T20A |
| Outputs | 3 isolated outputs |
| Charging curves | 9 programs, position selected by dip switch |
| Charging curve | IU _{Uo} 3 modes |
| Voltage share | +/-2% |
| Ripple | < 1% (BW < 20MHz) |
| Output Fuse (auto. mini) | 5 x F25A |
| Display | LED display or optional touch multi-colour Touchview |
| Operating Temperature | -10°C to +55°C |
| Operating Humidity | 10% to 95% (without condensation) |
| IP | IP22 |
| Ventilation | Forced fan adjustable speed cooling |
| Safety | EN 60335-1 |
| EMC | EN 55016, IEC 61000 |
| Housing | Powder coated aluminium |
| Mounting | Wall mounted 4 x M4 screws |
| Dimensions | 346 x 358 x 196 mm |
| Weight | 11.5 Kg |
| AC Connection | 3-point cage terminal 10mm ² max |
| DC Terminal | 4 M8 terminals |
| Output alarm contact | 1A 30V NO |
| Battery temp. sensor | 2-point 1,5 mm ² cage terminal |
| External touch screen control panel (Touchview) | RJ45 |
| CAN Bus connection | 2 Micro-Fit & RJ11 |



Part No. 399180 **Model** 24V 100A

Proudly distributed by:



16 Parkinson Lane
O'Connor WA 6163
Australia

Phone +61 8 9331 3100
Fax +61 8 9331 5150
Email mail@amelec.com.au
Web www.amelec.com.au