

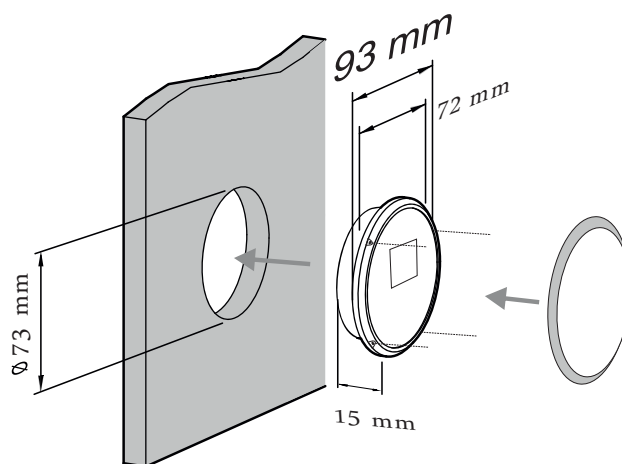
Voltage	12V dc (8 to 16V)
Power consumption	
- max brightness	150 mA approx.
- screen turned off	50 mA approx.
Display type	2.4" (6.1 cm) a-Si TFT screen
Display resolution	320 x 240 pixel
Parameter selection	Touch screen
Languages	English, French, Italian, Spanish, German
Screen background	Configurable: three available colours
Screen brightness	Adjustable
Interface	16-bit interface for i80system
Alarm 1	Battery or electronics temperature fault
Alarm 2	Charger supply voltage fault
Alarm 3	Fuse fault
Alarm 4	Charger output voltage fault
Alarm 5	CAN bus fault
Operating Temperature	-10°C to +50°C
Operating Humidity	10% to 70% without condensation
Convection	Natural
Presentation	Flush mounted Ø 93mm
Flush mounting	72 mm dia. (use a 73 mm hole saw) depth 15 mm
Dimensions	93 x 93 x 23mm
Weight	< 500g
Conformity	ROHS
Connection	RJ9 connector

Innovative Touchscreen

SUPPLIED WITH

Temperature sensor (1 electric sensor) and Shunt (1 shunt 300 Amps/100mV)

Part No.	Model
399033	Touch View



Proudly distributed by:



16 Parkinson Lane
O'Connor WA 6163
Australia

Phone +61 8 9331 3100
Fax +61 8 9331 5150
Email mail@amelec.com.au
Web www.amelec.com.au