

# Battery Master Switch

## Single Pole 75A Continuous

**CODE NUMBER:** 500000

### GENERAL

Key/handle removable in OFF position only.

### ELECTRICAL

Rated Voltage: 48VDC maximum  
 Rated Current: 75/350 Amps sustained/5 secs  
 Configuration: Normally Open (N/O)

### PHYSICAL

Termination: M10 copper studs  
 Stud Torque:  $15 \pm 1.0$  Nm  
 Contacts: Copper  
 Hardware: Brass nuts and washers  
 Construction: Thermoplastic body and handle  
 Environmental: IP61  
 Operating Temp:  $-40^{\circ}\text{C}$  to  $+85^{\circ}\text{C}$   
 Dimensions: 57mmL x 57mmW x 103mmH  
 Weight (nominal): 135 Grams



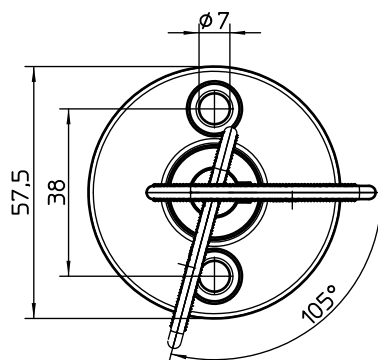
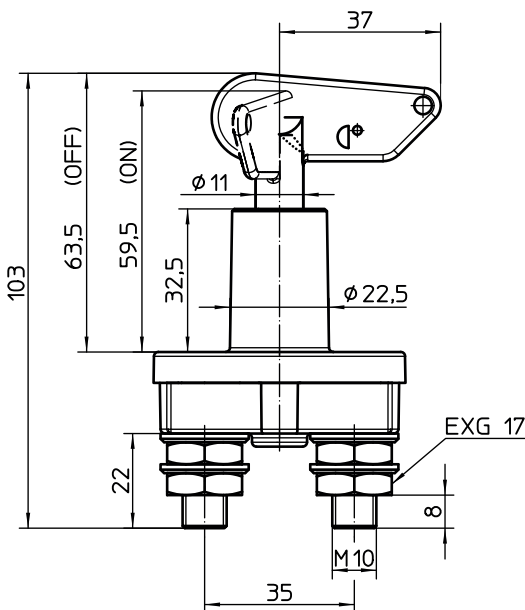
A range of economical thermoplastic switches for vehicle auxiliary circuits, stationary engines, generating sets, small engines, etc. Available as a standard switch, with weather seal boot and cap or as a key lock version.

### OPTIONS

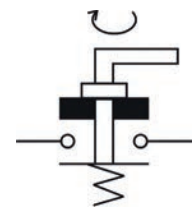
Zinc steel plated chain: Order no. 520009

### SPARE PARTS

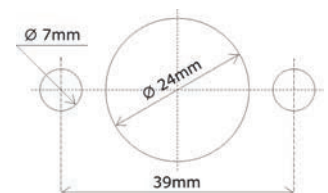
Handle: Order no. 500032



Connection



Fixing



Proudly distributed by:



16 Parkinson Lane  
 O'Connor WA 6163  
 Australia

**Phone** +61 8 9331 3100  
**Fax** +61 8 9331 5150  
**Email** [mail@amelec.com.au](mailto:mail@amelec.com.au)  
**Web** [www.amelec.com.au](http://www.amelec.com.au)