

Battery Master Switch Single Pole 250A

CODE NUMBER: 500010

GENERAL

Removable heavy duty handle with retaining chain. Includes weather protective boot and seal.

ELECTRICAL

Rated Voltage: 48VDC maximum
 Rated Current: 250/2500 Amps sustained/5 secs
 Configuration: Normally Open (N/O)

PHYSICAL

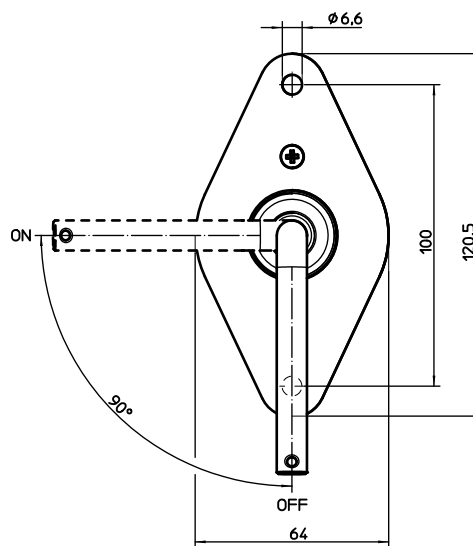
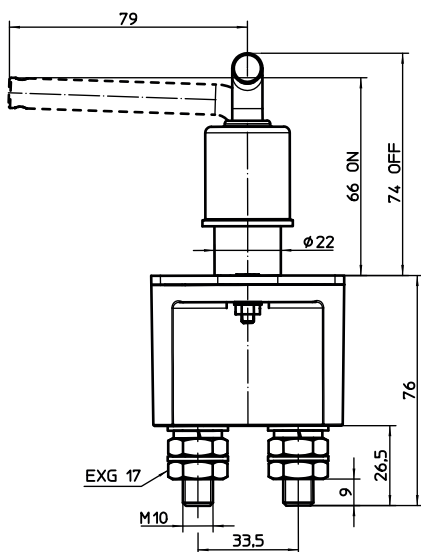
Termination: M10 copper studs
 Stud Torque: 15 ± 1.0 Nm
 Contacts: Copper
 Hardware: Steel nuts and washers
 Construction: Reinforced plastic body with zinc plated stamped steel frame and handle.
 Environmental: IP65
 Operating Temp: -40°C to $+85^{\circ}\text{C}$
 Dimensions: 64mmL x 120.5mmW x 150mmH
 Weight (nominal): 565 Grams



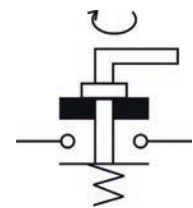
Designed for switching high current loads in various automotive, commercial and industrial vehicles. This high performance switch is constructed from quality materials and sealed to protect from harsh environmental conditions.

SPARE PARTS

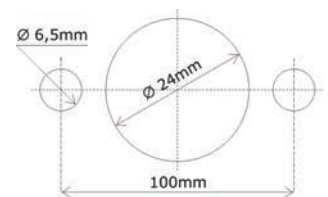
Handle: Order no. 520009
 Handle, chain, boot and strap: Order no. 520020
 Boot and strap: Order no. 520003



Connection



Fixing



Proudly distributed by:



16 Parkinson Lane
 O'Connor WA 6163
 Australia

Phone +61 8 9331 3100
Fax +61 8 9331 5150
Email mail@amelec.com.au
Web www.amelec.com.au