

Battery Master Switch

Single Pole 300A

CODE NUMBER: 500013

GENERAL

Environmentally sealed to IP67 for high protection. Fixed T handle is removable and replaceable.

ELECTRICAL

Rated Voltage: 48VDC maximum
 Rated Current: 300/3000 Amps sustained/5 secs
 Configuration: Normally Open (N/O)

PHYSICAL

Termination: M10 copper studs
 Stud Torque: 15 ± 1.0 Nm
 Contacts: Copper
 Hardware: Brass nuts and washers
 Construction: Reinforced plastic body with zinc plated die cast frame and die cast T handle.

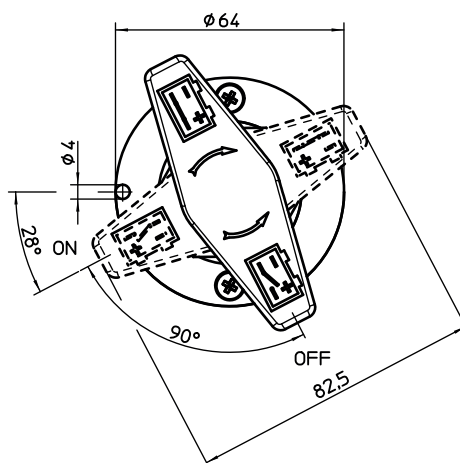
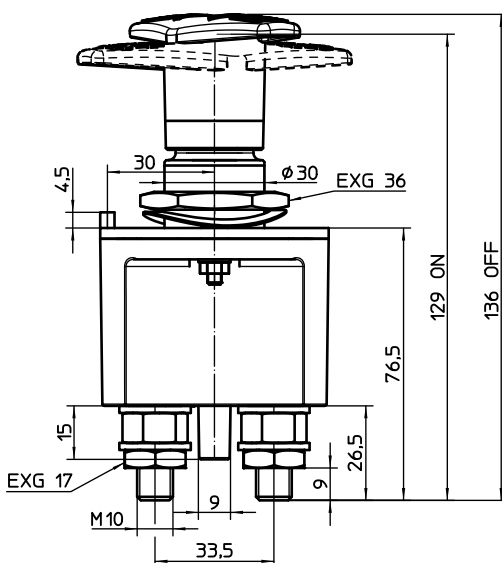
Environmental: IP67
 Operating Temp: -40°C to $+85^{\circ}\text{C}$
 Dimensions: 82.5mmL x 82.5mmW x 136mmH
 Weight (nominal): 515 Grams

SPARE PARTS

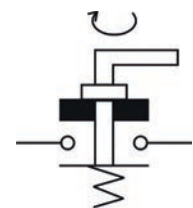
Handle: Order no. 500031



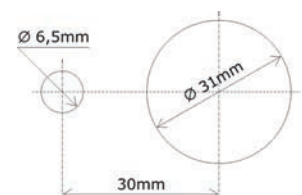
A robust switch designed for switching heavy current in a myriad of automotive, commercial and industrial vehicle applications. Featuring sealed construction, anti-rotation stop, strong cast aluminium handle, all in a compact housing.



Connection



Fixing



Proudly distributed by:



16 Parkinson Lane
 O'Connor WA 6163
 Australia

Phone +61 8 9331 3100
Fax +61 8 9331 5150
Email mail@amelec.com.au
Web www.amelec.com.au