

Battery Master Switch Single Pole 350A

CODE NUMBER: 500014

GENERAL

Environmentally sealed to IP67 rating for high protection.

Fixed, heavy-duty die cast handle is non-removable.

ELECTRICAL

Rated Voltage: 48VDC maximum

Rated Current: 350/3500 Amps sustained/5 secs

Configuration: Normally Open (N/O)

PHYSICAL

Termination: M10 copper studs

Stud Torque: 15 ± 1.0 Nm

Contacts: Copper

Hardware: Brass nuts and washers

Construction: Zinc die cast and epoxy coated body with reinforced plastic base and aluminium die cast T handle.

Environmental: IP67

Operating Temp: -40°C to $+85^{\circ}\text{C}$

Dimensions: 92mmL x 90mmW x 135mmH

Weight (nominal): 710 Grams

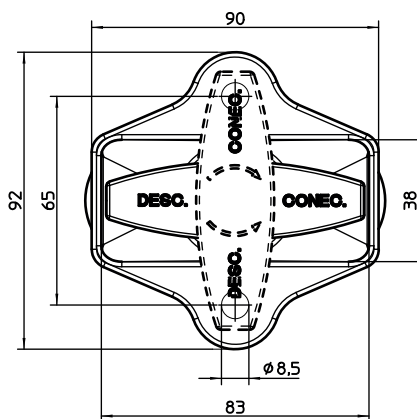
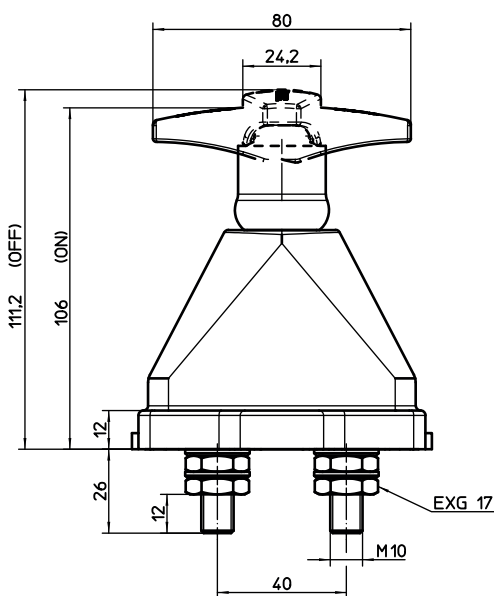


A heavy duty device for switching super high current in many boat and yacht applications. Featuring sealed construction, robust die cast housing, die cast T handle, all in a compact housing.

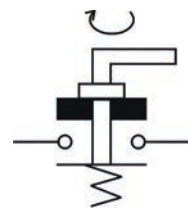
SPARE PARTS

With dependent auxiliary circuit: Order no. 5XXXXX

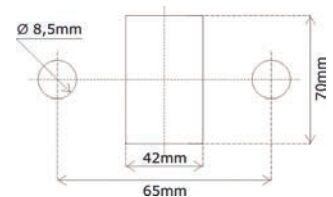
With independent auxiliary circuit: Order no. 5XXXXX



Connection



Fixing



Proudly distributed by:



16 Parkinson Lane
O'Connor WA 6163
Australia

Phone +61 8 9331 3100
Fax +61 8 9331 5150
Email mail@amelec.com.au
Web www.amelec.com.au