



Battery Master Switch Single Pole 350A

CODE NUMBER: 500015

GENERAL

Environmentally sealed to IP67 rating for high protection.
Fixed, heavy-duty die cast handle is non-removable.

ELECTRICAL

Rated Voltage: 48VDC maximum
Rated Current: 350/3500 Amps sustained/5 secs
Configuration: Normally Open (N/O)

PHYSICAL

Termination: M10 copper studs
Stud Torque: 15 ± 1.0 Nm
Contacts: Copper
Hardware: Brass nuts and washers
Construction: Zinc die cast body with reinforced plastic base and aluminium die cast T handle.

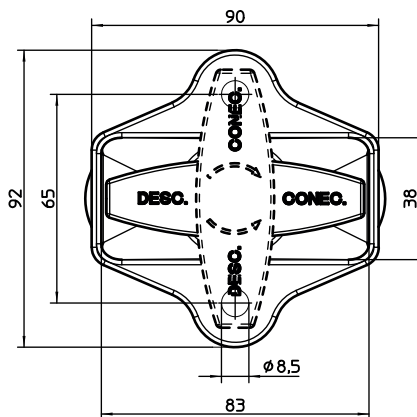
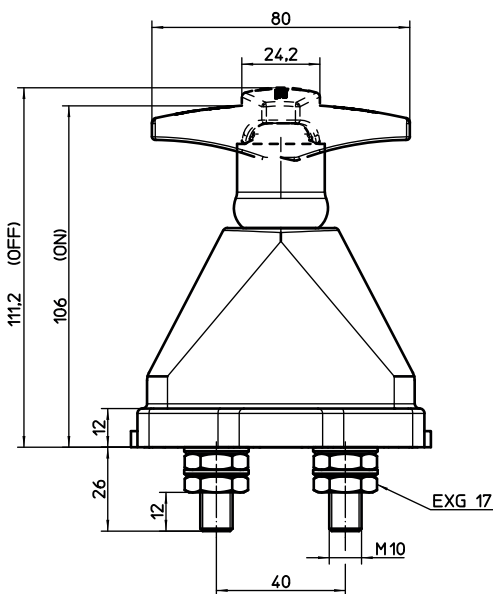
Environmental: IP67
Operating Temp: -40°C to +85°C
Dimensions: 92mmL x 90mmW x 135mmH
Weight (nominal): 710 Grams

SPARE PARTS

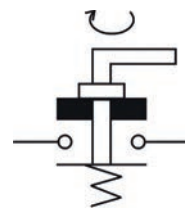
With dependent auxiliary circuit: Order no. 500016
With independent auxiliary circuit: Order no. 500017



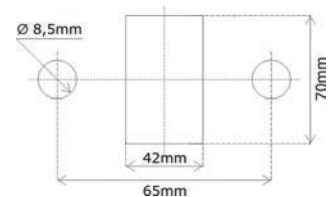
A heavy duty device for switching super high current in automotive, commercial and industrial vehicle applications. Featuring sealed construction, robust die cast housing, die cast T handle, all in a compact housing.



Connection



Fixing



Proudly distributed by:



16 Parkinson Lane
O'Connor WA 6163
Australia

Phone +61 8 9331 3100
Fax +61 8 9331 5150
Email mail@amelec.com.au
Web www.amelec.com.au