

Battery Master Switch Single Pole 250A

CODE NUMBER: 500018

GENERAL

Pull & turn action to isolate, twist release for instant on.
Fixed handle is removable and replaceable.

ELECTRICAL

Rated Voltage: 48VDC maximum
Rated Current: 250/2000 Amps sustained/5 secs
Configuration: Normally Open (N/O)

PHYSICAL

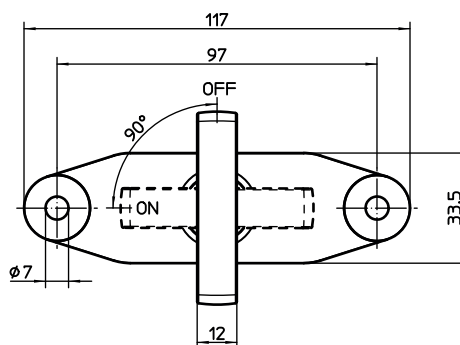
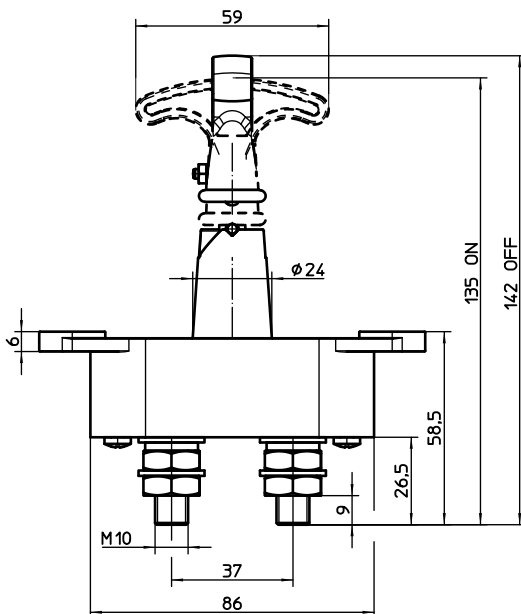
Termination: M10 copper studs
Stud Torque: 15 ± 1.0 Nm
Contacts: Copper
Hardware: Plated steel nuts and washers
Construction: Reinforced plastic body with zinc plated die cast frame and die cast handle.
Operating Temp: -40°C to $+85^{\circ}\text{C}$
Dimensions: 117mmL x 33.5mmW x 142mmH
Weight (nominal): 535 Grams

SPARE PARTS

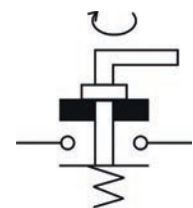
Handle: Order no. 580019



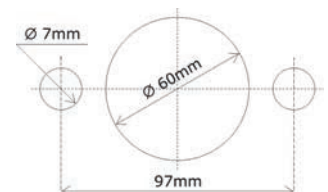
This heavy duty switch features a die cast zinc housing and strong T handle. It is ideal for a multitude of heavy current switching applications in automotive, commercial and industrial vehicles.



Connection



Fixing



Proudly distributed by:



16 Parkinson Lane
O'Connor WA 6163
Australia

Phone +61 8 9331 3100
Fax +61 8 9331 5150
Email mail@amelec.com.au
Web www.amelec.com.au