



Battery Master Switch Single Pole 100A

CODE NUMBER: 500023

GENERAL

Lockable with key removable in both ON and OFF positions.

ELECTRICAL

Rated Voltage: 48VDC maximum
Rated Current: 100/500 Amps sustained/5 secs
Configuration: Normally Open (N/O)

PHYSICAL

Termination: M10 copper studs
Stud Torque: 15 ± 1.0 Nm
Contacts: Copper
Hardware: Plated steel nuts and washers
Construction: Thermoplastic body with zinc plated steel frame and plated brass bushing.

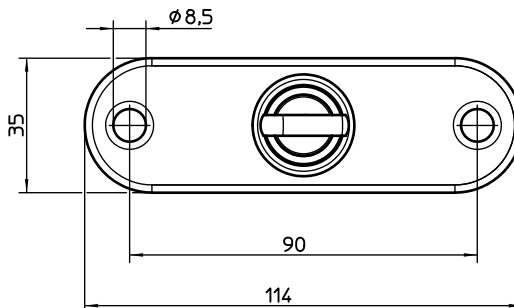
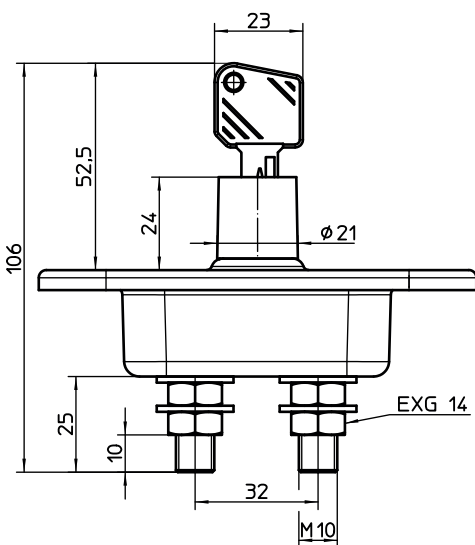
Environmental: IP63
Operating Temp: -40°C to $+85^{\circ}\text{C}$
Dimensions: 114mmL x 35mmW x 106mmH
Weight (nominal): 210 Grams (with key)

SPARE PARTS

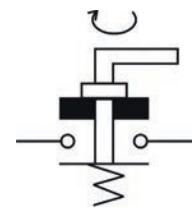
Key: Order no. 520000 (code required)



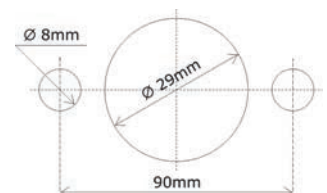
Ideal for protecting valuable vehicles/equipment from theft. Removable key in both on and off positions allows for key to remain on driver's/operator's key-ring, whether in storage or operation. Simple protection at low cost.



Connection



Fixing



Proudly distributed by:



16 Parkinson Lane
O'Connor WA 6163
Australia

Phone +61 8 9331 3100
Fax +61 8 9331 5150
Email mail@amelec.com.au
Web www.amelec.com.au