



# Chassis Isolator Switch Single Pole 75A



**CODE NUMBER:**  
500026 - 75A rating

**GENERAL**

Removable screw knob for safety and security.

**ELECTRICAL**

Rated Voltage: 24VDC maximum  
Rated Current: 75/200 Amps sustained/5 secs  
Configuration: Normally Open (N/O)

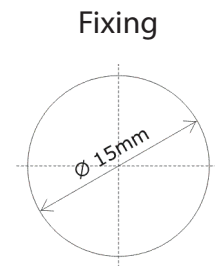
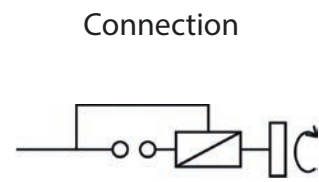
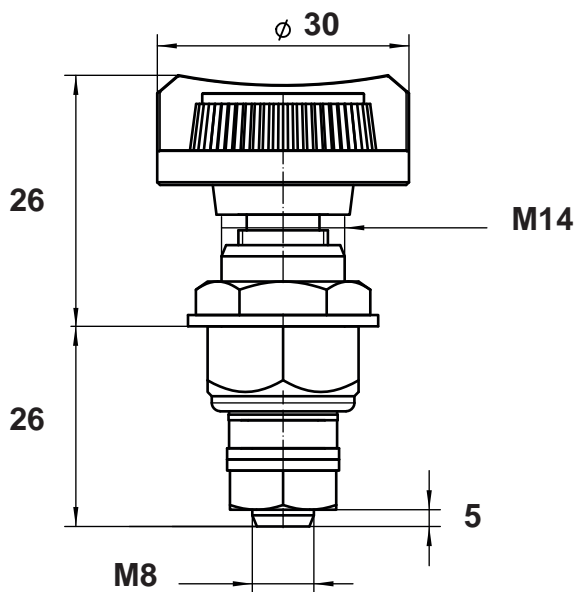
**PHYSICAL**

Termination: M8 copper studs  
Stud Torque: 12 ± 1.0 Nm  
Contacts: Brass  
Hardware: Plated steel nut and washers  
Construction: Zinc plated steel body and thermoplastic knob  
Operating Temp: -40°C to +85°C  
Dimensions: 30mmL x 30mmW x 52mmH  
Weight (nominal): 65 Grams

Designed for isolating the negative wire in vehicles and other applications where the chassis is grounded. Single hole mounting in chassis with one connection provides for a simple installation, particularly in confined spaces.

**SPARE PARTS**

Knob: Order no. 520008



Proudly distributed by:



16 Parkinson Lane  
O'Connor WA 6163  
Australia

**Phone** +61 8 9331 3100  
**Fax** +61 8 9331 5150  
**Email** [mail@amelec.com.au](mailto:mail@amelec.com.au)  
**Web** [www.amelec.com.au](http://www.amelec.com.au)