



Chassis Isolator Switch Single Pole 80A



CODE NUMBER:
500027 - 80A rating

GENERAL

Removable screw knob for safety and security.

ELECTRICAL

Rated Voltage: 24VDC maximum
Rated Current: 80/250 Amps sustained/5 secs
Configuration: Normally Open (N/O)

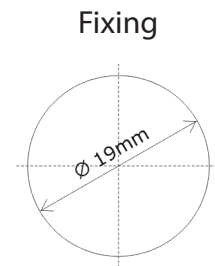
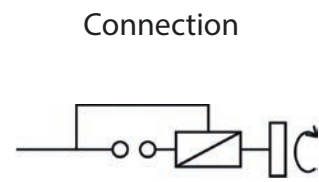
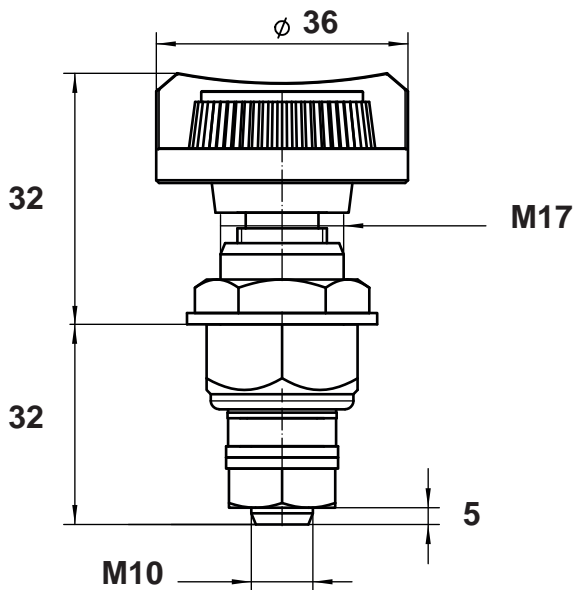
PHYSICAL

Termination: M10 copper studs
Stud Torque: 12 ± 1.0 Nm
Contacts: Brass
Hardware: Plated steel nut and washers
Construction: Zinc plated steel body and thermoplastic knob
Operating Temp: -40°C to +85°C
Dimensions: 36mmL x 36mmW x 64mmH
Weight (nominal): 105 Grams

Designed for isolating the negative wire in vehicles and other applications where the chassis is grounded. Single hole mounting in chassis with one connection provides for a simple installation, particularly in confined spaces.

SPARE PARTS

Knob: Order no. 520026



Proudly distributed by:



16 Parkinson Lane
O'Connor WA 6163
Australia

Phone +61 8 9331 3100
Fax +61 8 9331 5150
Email mail@amelec.com.au
Web www.amelec.com.au