

CODE NUMBER: 530011 - 24 VDC

GENERAL

Low coil holding current. Recessed mount flat bracket.
Tested to 200 hours salt spray resistance.

ELECTRICAL - CONTROL CIRCUIT

Inrush Current: 4.5 Amps
Holding Current: 0.25 Amps
Engaging Voltage: ≥ 18 Volts
Disengaging Voltage: ≤ 6 Volts
Power Dissipation: ≤ 6 Watts

ELECTRICAL - POWER CIRCUIT

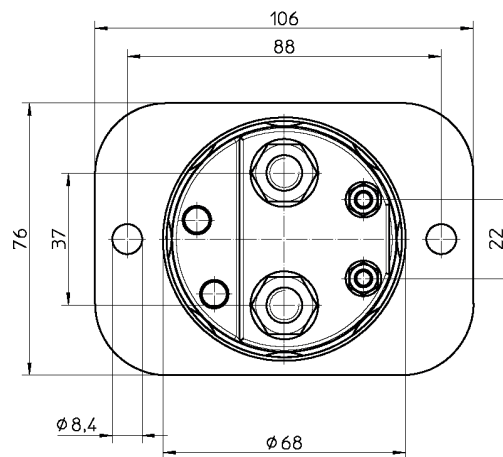
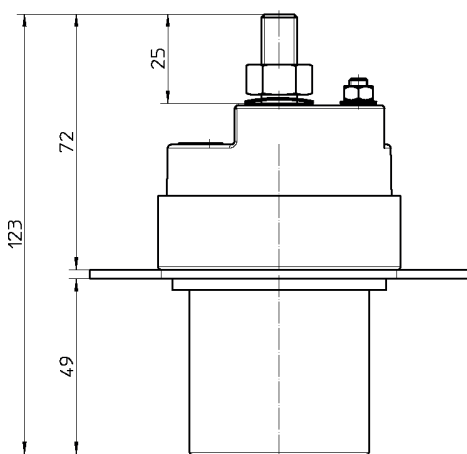
Rated Voltage: 48VDC maximum
Rated Current: 300/2400 Amps sustained/1 sec
Configuration: Normally Open (N/O)

PHYSICAL

Termination- Power: M10 copper studs
Stud Torque - Power: 14 ± 1.5 Nm
Termination - Control: M5 brass studs
Stud Torque - Control: 4 ± 1.0 Nm
Contacts: Copper
Hardware: Brass nuts and washers
Construction: Reinforced plastic base with black zinc plated steel body and frame.
Environmental: IP65
Operating Temp: -40°C to $+85^{\circ}\text{C}$
Dimensions: 106mmL x 76mmW x 123mmH
Weight (nominal): 1.0 Kilogram

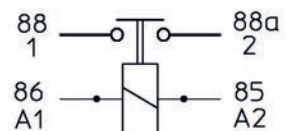


A heavy duty remote operated contactor for switching high current loads in commercial, industrial and marine transport applications. Featuring sealed design, robust construction and easy mounting, all in a compact housing.

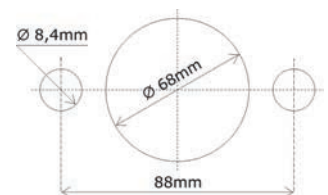


Connection

CIRCUIT:



Fixing



Proudly distributed by:



16 Parkinson Lane
O'Connor WA 6163
Australia

Phone +61 8 9331 3100
Fax +61 8 9331 5150
Email mail@amelec.com.au
Web www.amelec.com.au