



Battery Master Switch Double Pole 250A

CODE NUMBER: 530110

GENERAL

Environmentally sealed to IP65 rating for extra protection. Ergonomically designed, fixed thermoplastic T handle is non-removable. Tested to 200 hours salt spray resistance.

ELECTRICAL

Rated Voltage: 48VDC maximum
 Rated Current: 250/2500 Amps sustained/5 secs
 Configuration: Normally Open (N/O)

PHYSICAL

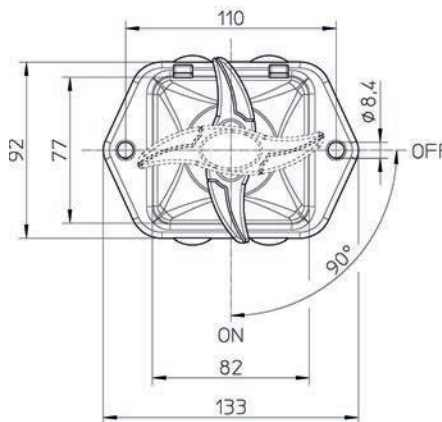
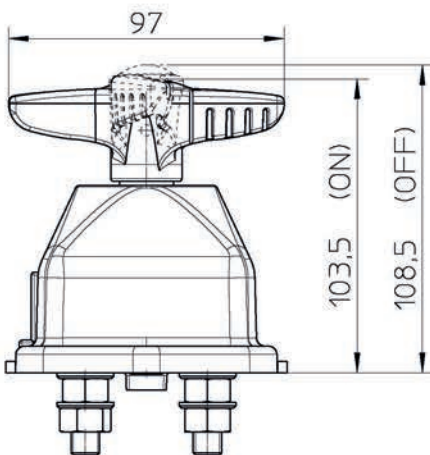
Termination: M10 copper studs
 Stud Torque: 15 ± 1.0 Nm
 Contacts: Copper
 Hardware: Brass nuts and washers
 Construction: Zinc die cast body with reinforced plastic base and thermoplastic T handle.
 Environmental: IP65
 Operating Temp: -40°C to +85°C
 Dimensions: 133mmL x 97mmW x 108.5mmH
 Weight (nominal): 985 Grams

SPARE PARTS

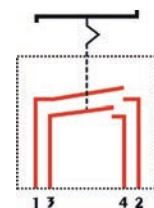
With dependent auxiliary circuit: Order no. 530112
 With independent auxiliary circuit: Order no. 530114



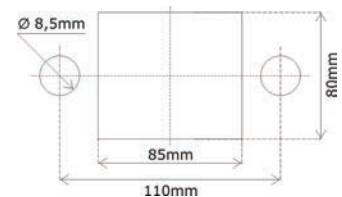
A heavy duty device for switching high current in automotive, commercial and industrial vehicle applications. Featuring sealed construction, robust die cast housing, thermoplastic T handle, all in a compact housing.



Connection



Fixing



Proudly distributed by:



16 Parkinson Lane
 O'Connor WA 6163
 Australia

Phone +61 8 9331 3100
Fax +61 8 9331 5150
Email mail@amelec.com.au
Web www.amelec.com.au