

Battery Master Switch Double Pole 250A

CODE NUMBER: 530111

GENERAL

Environmentally sealed to IP65 rating for extra protection. Ergonomically designed, fixed thermoplastic T handle is non-removable. Tested to 200 hours salt spray resistance.

ELECTRICAL

Rated Voltage: 48VDC maximum
Rated Current: 250/2500 Amps sustained/5 secs
Configuration: Normally Open (N/O)

PHYSICAL

Termination: M10 copper studs
Stud Torque: 15 ± 1.0 Nm
Contacts: Copper
Hardware: Brass nuts and washers
Construction: Zinc die cast and epoxy coated body with reinforced plastic base and thermoplastic T handle.

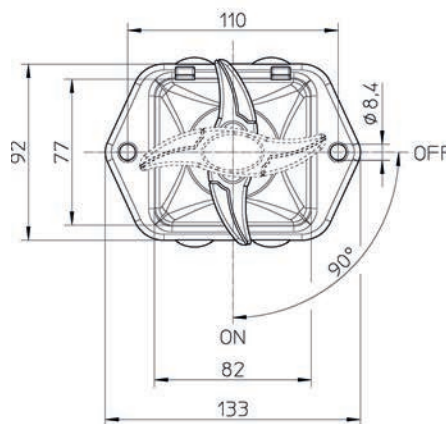
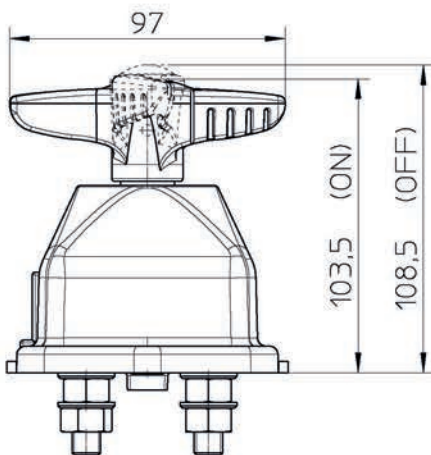
Environmental: IP65
Operating Temp: -40°C to $+85^{\circ}\text{C}$
Dimensions: 133mmL x 97mmW x 108.5mmH
Weight (nominal): 985 Grams

SPARE PARTS

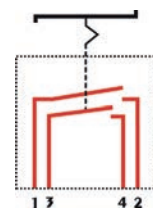
With dependent auxiliary circuit: Order no. 530113
With independent auxiliary circuit: Order no. 530115



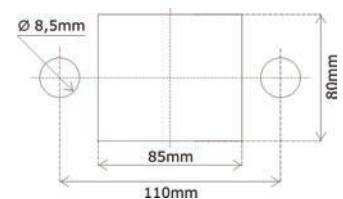
A heavy duty device for switching high current in many boat and yacht applications. Featuring sealed construction, robust die cast housing, thermoplastic T handle, all in a compact housing.



Connection



Fixing



Proudly distributed by:



16 Parkinson Lane
O'Connor WA 6163
Australia

Phone +61 8 9331 3100
Fax +61 8 9331 5150
Email mail@amelec.com.au
Web www.amelec.com.au