



Battery Master Switch Double Pole 250A

CODE NUMBER: 500055

GENERAL

Removable heavy duty handle with retaining chain.
Includes weather protective boot and seal.

ELECTRICAL

Rated Voltage: 48VDC maximum
Rated Current: 250/2500 Amps sustained/5 secs
Configuration: Normally Open (N/O)

PHYSICAL

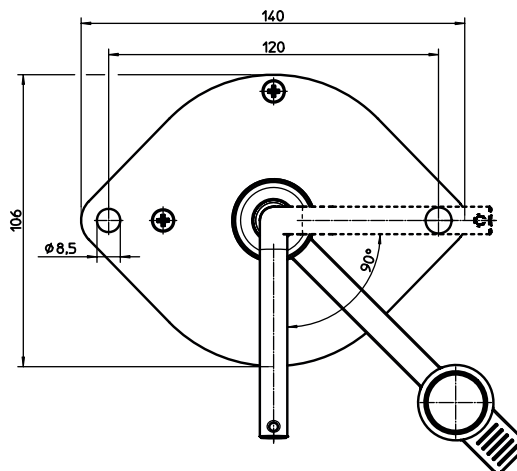
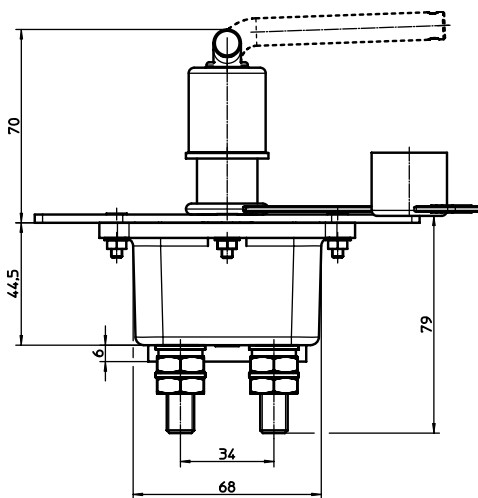
Termination: M10 tin plated copper studs
Stud Torque: 15 ± 1.0 Nm
Contacts: Copper
Hardware: Steel nuts and washers
Construction: Reinforced plastic body with zinc plated stamped steel frame and handle.
Environmental: IP66
Salt Spray: Body & studs resistant to ISO9227: 72h
Washers & nuts resistant to ISO9227: 120h
Operating Temp: -40°C to +85°C
Dimensions: 140mmL x 106mmW x 150mmH
Weight (nominal): 1 Kilogram



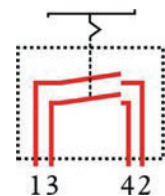
Designed for switching high current loads in various automotive, commercial and industrial vehicles. This high performance switch is constructed from quality materials and sealed to protect from harsh environmental conditions.

SPARE PARTS

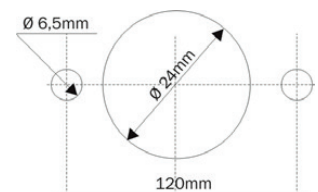
Handle:	Order no. 520029
Handle, chain, boot and strap:	Order no. 520020
Boot and strap:	Order no. 520003



Connection



Fixing



Proudly distributed by:



16 Parkinson Lane
O'Connor WA 6163
Australia

Phone +61 8 9331 3100
Fax +61 8 9331 5150
Email mail@amelec.com.au
Web www.amelec.com.au