

Dolphin pro

24V 150A 1 Phase Charger

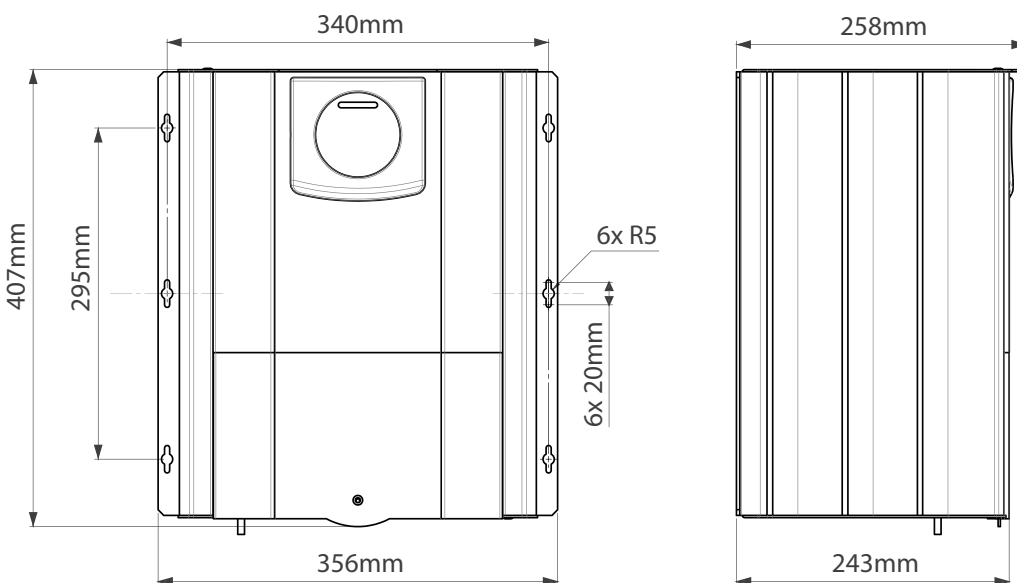


Plug and Play Battery Charger

Protection:

- Output overload
- Excessive internal temperature
- Charging voltage too high
- Reverse battery polarity (fuse)

Input Voltage	230 Vac 1 Phase
Frequency	50Hz / 60Hz (+/-15%)
Power Factor	0.9 typ
Efficiency	0.85
Max. Consumption	25A
Input Fuses	3x15 Amp slow (6.3x32mm glass type)
Outputs	3 isolated (no loss splitter)
Max current	150 Amp adjustable from Touch Display (105 Amp / 75 Amp / 45 Amp)
Temp. compensation	Yes with external Temp Sensor +/- 25Mv / °C
Floating & Boost Voltage	Based on charging program selected (Lead acid, Lead/Calcium, Calcium/Calcium maintenance free/ AGM Spiral cell/Gell/AGM/ Winterizing/Power supply)
Voltage tolerance	+/- 2%
Communication	CANBUS J1939 open
Alarm relay	Free contact output 10 Amp
Display	Touch panel 2.5"
Operating Temperature	-10°C to +55°C
Max Humidity	90%
IP Enclosure	IP22
Cooling	Variospeed thermostated fans
Safety	EN 60335-1
EMC	EN 55016-2-1, EN 55016-2-1/A1, CISPR 16-2-1, EN 55016-2-3
Dimensions	356 x 407 x 258 mm
Weight	19 Kg



Part No. Model
399186 24V 150A 1Phase

Proudly distributed by:



16 Parkinson Lane
O'Connor WA 6163
Australia

Phone +61 8 9331 3100
Fax +61 8 9331 5150
Email mail@amelec.com.au
Web www.amelec.com.au