

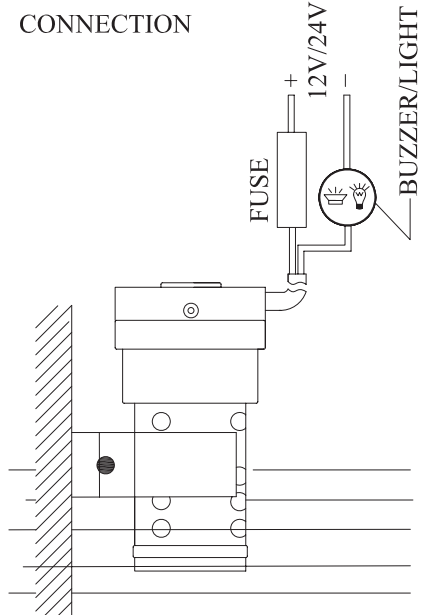
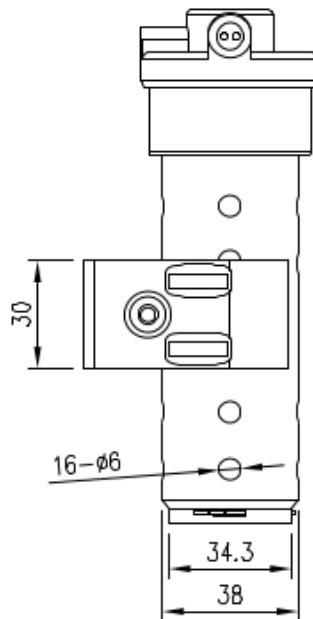
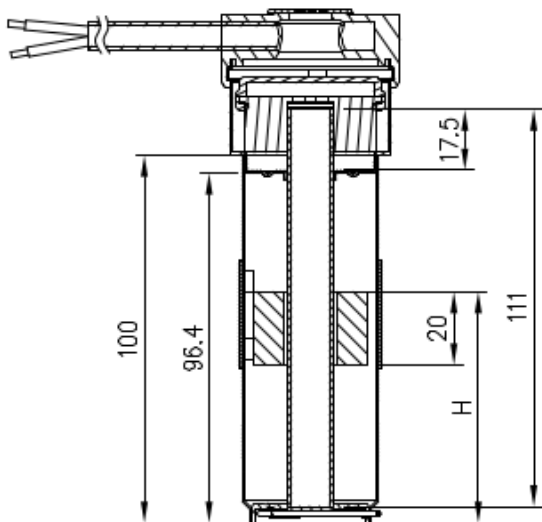
BILGE ALARM SWITCH



This device is for detecting water level at the bottom of your boat. When water comes up to alarm level, the buzzer will sound. The housing, which can be conveniently disassembled and cleaned, can prevent foreign particles from obstructing the movement of the float.

Model	Description
OVG-S	Bilge Alarm Switch

Material SUS 316 Stainless Steel
Length Standard length is 4"



Proudly distributed by:



16 Parkinson Lane
 O'Connor WA 6163
 Australia

Phone +61 8 9331 3100
Fax +61 8 9331 5150
Email mail@amelec.com.au
Web www.amelec.com.au